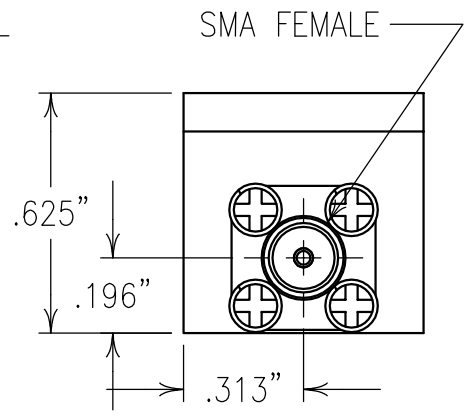
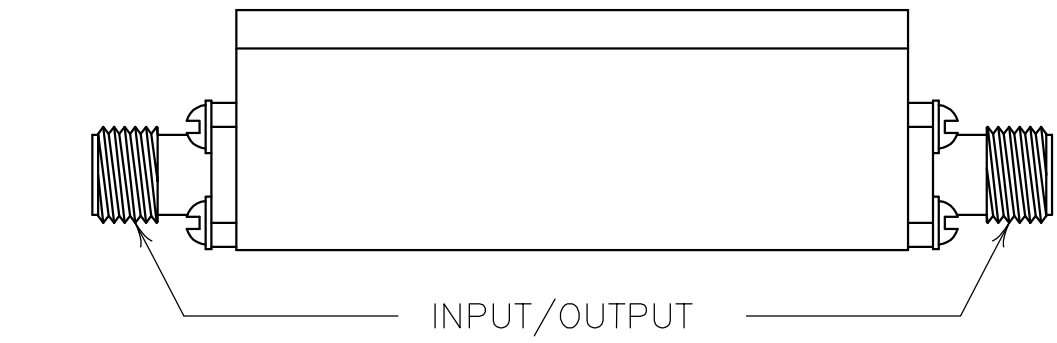
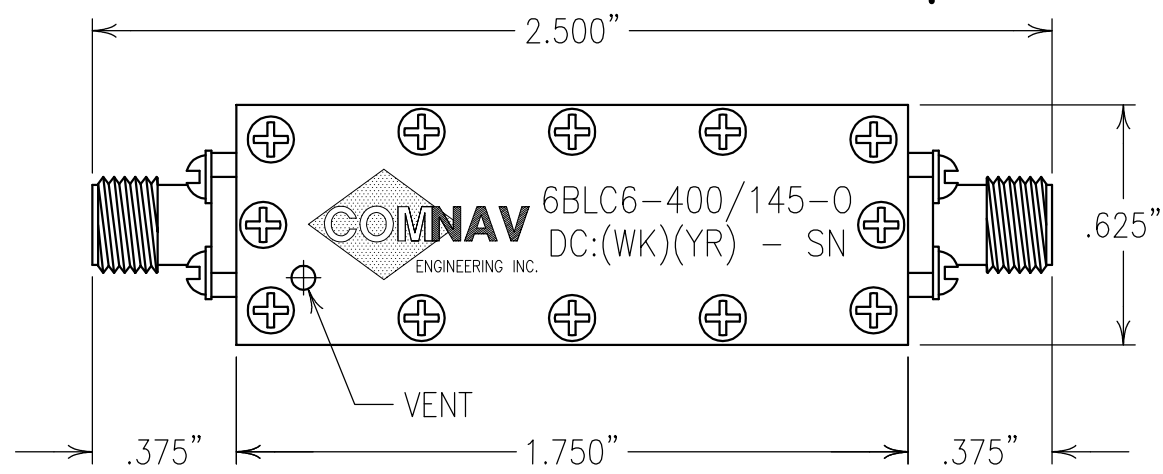


2

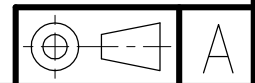
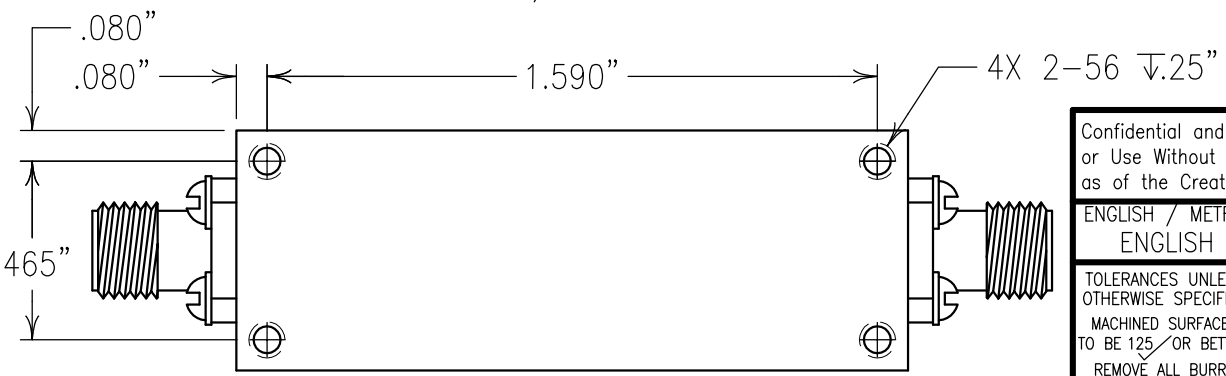
1

### ELECTRICAL CHARACTERISTICS

CENTER FREQUENCY: 400 MHz  
 1 dB BANDWIDTH: 120 MHz MIN  
 INSERTION LOSS: 1.0 dB MAX @ FO  
 REJECTION:  
 60 dBc MIN @ 250 MHz  
 60 dBc MIN @ 525 MHz



**COPY**



Confidential and Proprietary information of ComNav Engineering Inc. Do Not Duplicate or Use Without Permission. ComNav Engineering Inc. claims Copyright in this document as of the Creation, last revision, and last updated dates. All Rights Reserved.

ENGLISH / METRIC CHECKED BY ENGLISH					
TOLERANCES UNLESS OTHERWISE SPECIFIED MACHINED SURFACES TO BE 125/ OR BETTER REMOVE ALL BURRS	DRAWN BY PBF	A	16DEC08	KJR	DEV. GEN. REV. PER 2983
	ENGINEER KJR	II	12NOV08	KJR	DEV. INI. ISS. PER 2965
	REV	DATE	BY	DCN No.	REMARKS

NOTES:

ENGLISH (INCHES) .XX ±.02 .XXX ±.01	METRIC (MM) .X ±.2 .XX ±.13	SCALE 2:1	APPLIC: CHIP AND WIRE FILTER
ANGLES ± 0° 30'	DATE 13DEC08	TITLE: 6BLC6-400/145-0	SHEET OF 1 1
MATERIAL: ALUMINUM FINISH: SILVER		DRAWING No. 0L0964	

