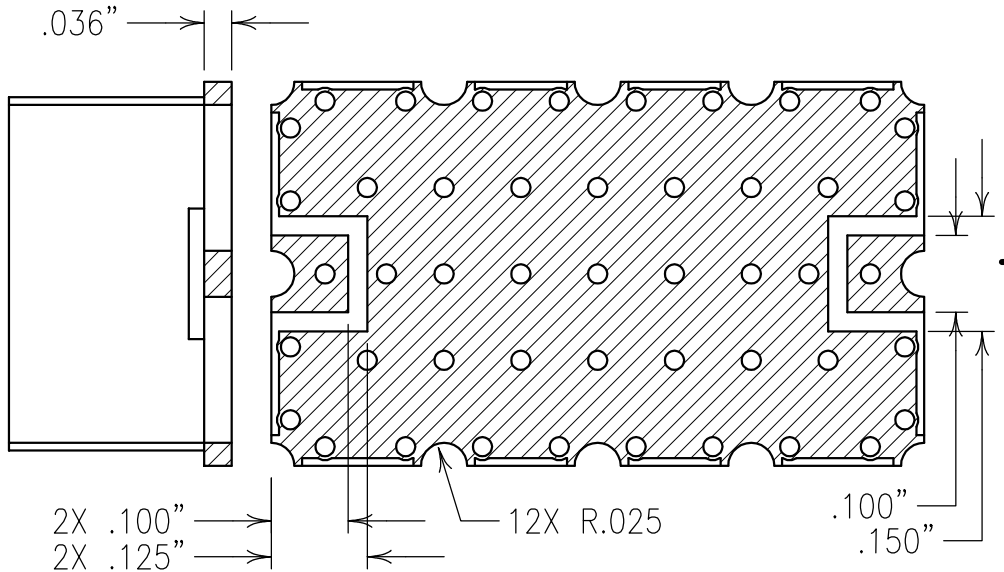
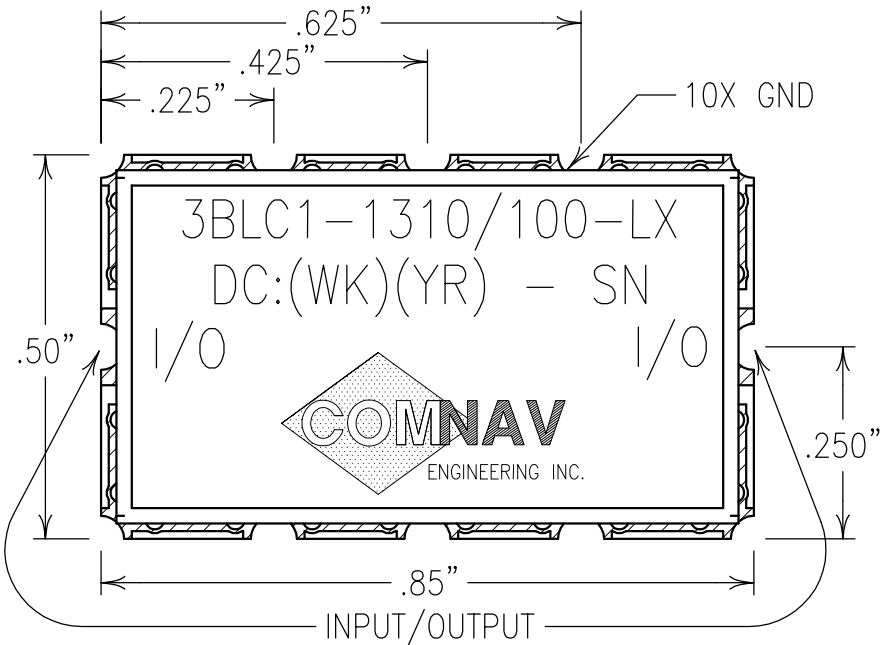
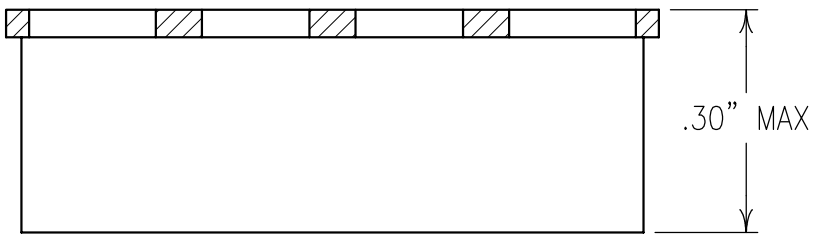


ELECTRICAL CHARACTERISTICS

CENTER FREQUENCY:	1310 MHz
3 dB BANDWIDTH:	100 MHz NOM
1 dB BANDWIDTH:	1285-1335 MHz
PASSBAND LOSS:	2.0 dB MAX
PASSBAND FLATNESS:	1 dB MAX
PASSBAND VSWR:	1.8:1
REJECTION:	
DC-650 MHz:	60 dBc
650-960 MHz:	40 dBc
1240 MHz:	6 dBc
2550-3000 MHz:	65 dBc

COPY



BOARD FINISH/PLATING

Confidential and Proprietary information of ComNav Engineering Inc. Do Not Duplicate or Use Without Permission. ComNav Engineering Inc. claims Copyright in this document as of the Creation, last revision, and last updated dates. All Rights Reserved.

NOTES: RECOMMENDED ATTACHMENT METHOD: SILVER EPOXY OR REFLOW NOT TO EXCEED:		MAX. TIME
		TEMP.(°C) (SECONDS)
	215	90
	230	60
	245	30
FILTER IS ROHS COMPLIANT.		
FILTER MAY BE LABELED OR ETCHED.		
	260	15

ENGLISH / METRIC ENGLISH	CHECKED BY				
TOLERANCES UNLESS OTHERWISE SPECIFIED TO BE 125/ OR BETTER REMOVE ALL BURRS	DRAWN BY PBF				
	ENGINEER KJR	II	11NOV08	KJR	DEV. INI. ISS. PER 2964
		REV	DATE	BY	DCN No. REMARKS
ENGLISH (INCHES) .XX ±.02 .XXX ±.01	METRIC (MM) .X ±.25 .XX ±.13	SCALE 4:1	APPLIC: CHIP AND WIRE FILTER		
ANGLES ± 0° 30'	DATE 24NOV08	TITLE: 3BLC1-1310/100-LX			
	FINISH: BOARD: (ELECTROLESS NICKEL/IMMERSION GOLD) 150±50 MICROINCHES NICKEL, 2-10 MICROINCHES GOLD JACKET: NI/SILVER RESONATOR: SILVER	DRAWING No.	SHEET/OF 1/1		
		0L0963			