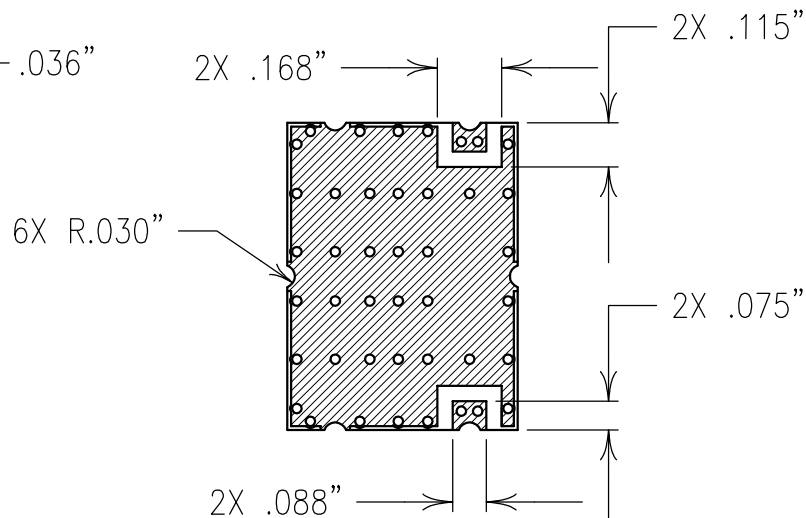
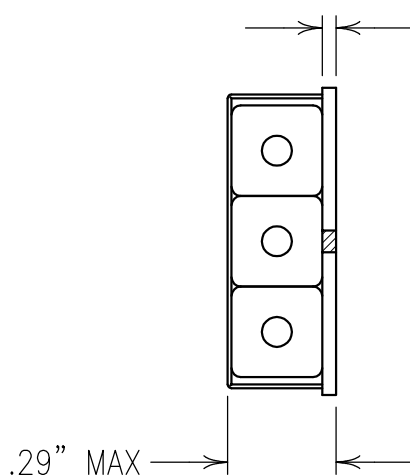
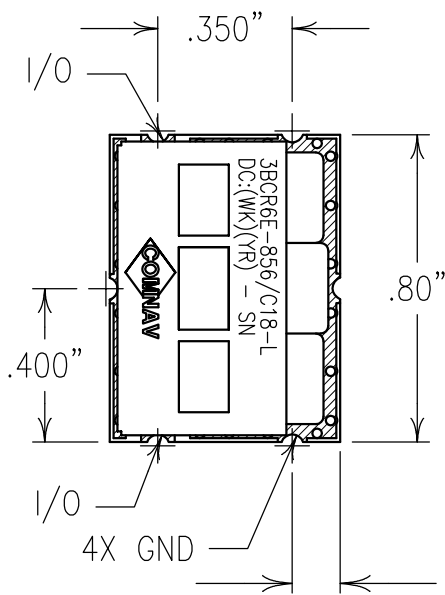
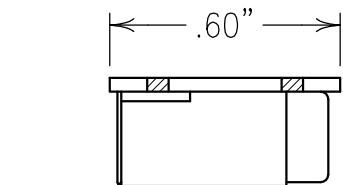


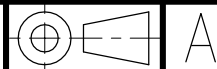
ELECTRICAL CHARACTERISTICS

CENTER FREQUENCY:	856 MHz
3 dB BANDWIDTH:	18 MHz NOM
PASSBAND:	851-861 MHz
LOSS:	<2.5 dB
FLATNESS:	<0.5 dB
VSWR:	<1.5:1
REJECTION:	
DC TO 650 MHz:	>55 dBc
650 TO 750 MHz:	>45 dBc

COPY



Confidential and Proprietary information of ComNav Engineering Inc. Do Not Duplicate or Use Without Permission. ComNav Engineering Inc. claims Copyright in this document as of the Creation, last revision, and last updated dates. All Rights Reserved.



NOTES:

RECOMMENDED FOOTPRINT: FP0028

RECOMMENDED ATTACHMENT METHOD: SILVER EPOXY
OR REFLOW NOT TO EXCEED AS INDICATED BELOW:

TEMP.(°C) MAX.	TIME(SEC)
215	90
230	60
245	30
260	15

FILTER MAY BE LABELED OR ETCHED.
FILTER IS ROHS COMPLIANT.

ENGLISH / METRIC ENGLISH	CHECKED BY				
TOLERANCES UNLESS OTHERWISE SPECIFIED	DRAWN BY	EEF			
MACHINED SURFACES TO BE 125 / OR BETTER REMOVE ALL BURRS	ENGINEER	KJR	REV	DATE	BY
ENGLISH (INCHES)	METRIC (MM)	SCALE	APPLIC: CERAMIC COAXIAL FILTER		
.XX ±.02	.X ±.25	2:1	TITLE: 3BCR6E-856/C18-L		
.XXX ±.010	.XX ±.13	DATE	DRAWING No. 0L0961		
ANGLES ± 0° 30'		02DEC08	SHEET OF 1 1		
FINISH: BOARD: NI/GOLD JACKET: NI/SILVER RESONATOR: SILVER		DRAWING No. 0L0961			