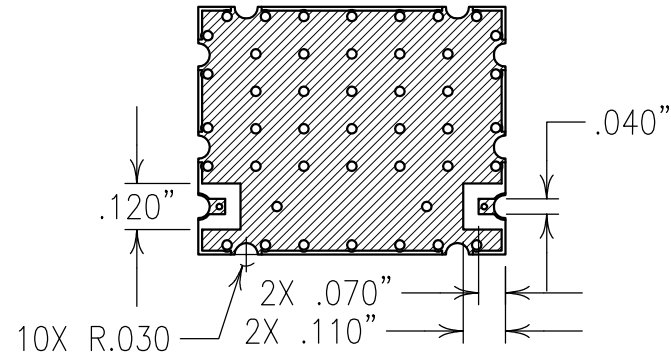
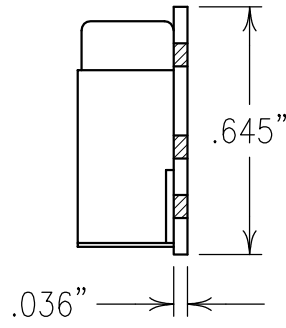
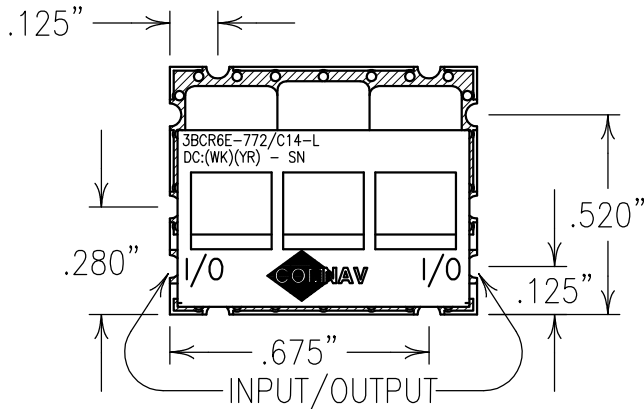
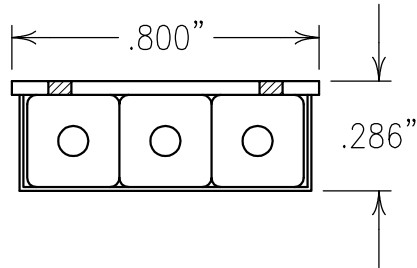


2

1

ELECTRICAL CHARACTERISTICS	
CENTER FREQUENCY:	772 MHz
3 dB BANDWIDTH:	14 MHz NOM
PASSBAND:	769-775 MHz
LOSS:	< 3.0 dB
FLATNESS:	< 0.5 dB
VSWR:	< 1.5:1
REJECTION:	
DC TO 650 MHz:	>65 dBc
650 TO 750 MHz:	>45 dBc

**COPY**



NOTES:

RECOMMENDED ATTACHMENT METHOD: SILVER EPOXY OR REFLOW NOT TO EXCEED AS INDICATED BELOW:

TEMP.(°C) MAX.	TIME(SEC)
215	90
230	60
245	30
260	15

FILTER MAY BE LABELED OR ETCHED.  
FILTER IS ROHS COMPLIANT.

Confidential and Proprietary information of ComNav Engineering Inc. Do Not Duplicate or Use Without Permission. ComNav Engineering Inc. claims Copyright in this document as of the Creation, last revision, and last updated dates. All Rights Reserved.						A
ENGLISH / METRIC ENGLISH	CHECKED BY					
TOLERANCES UNLESS OTHERWISE SPECIFIED	DRAWN BY					
MACHINED SURFACES TO BE 125 / OR BETTER	PBF					
REMOVE ALL BURRS	ENGINEER	II	11NOV08	KJR	DEV.	INI. ISS. PER 2963
	KJR	REV	DATE	BY	DCN No.	REMARKS
ENGLISH (INCHES)	METRIC (MM)	SCALE	APPLIC: CERAMIC COAXIAL FILTER			
.XX ±.02	.X ±.25	2:1	TITLE: 3BCR6E-772/C14-L			
.XXX ±.010	.XX ±.13	DATE	DRAWING No. 0L0960			
ANGLES ± 0° 30'		12NOV08	SHEET OF 1 1			
		FINISH: BOARD: NI/GOLD JACKET: NI/SILVER RESONATOR: SILVER				