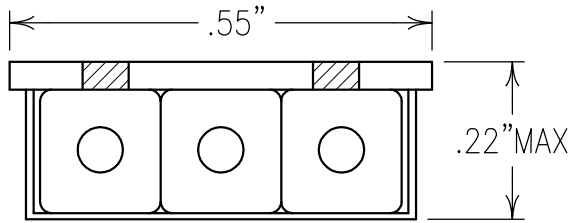


2

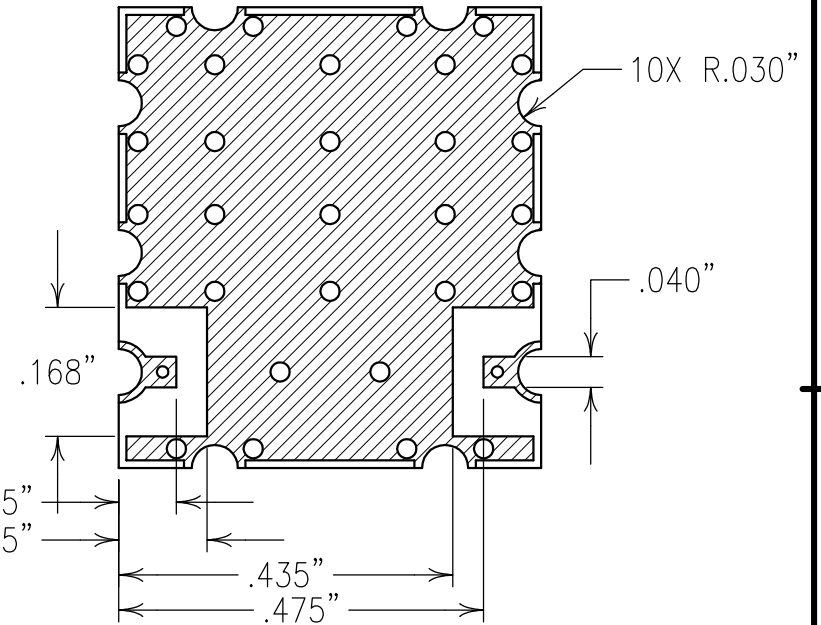
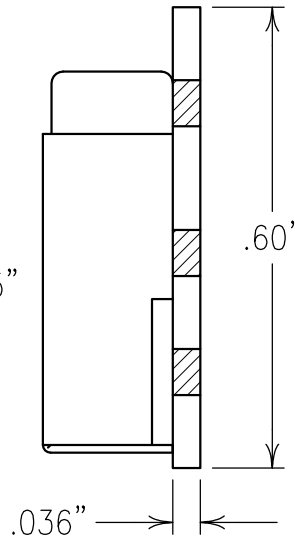
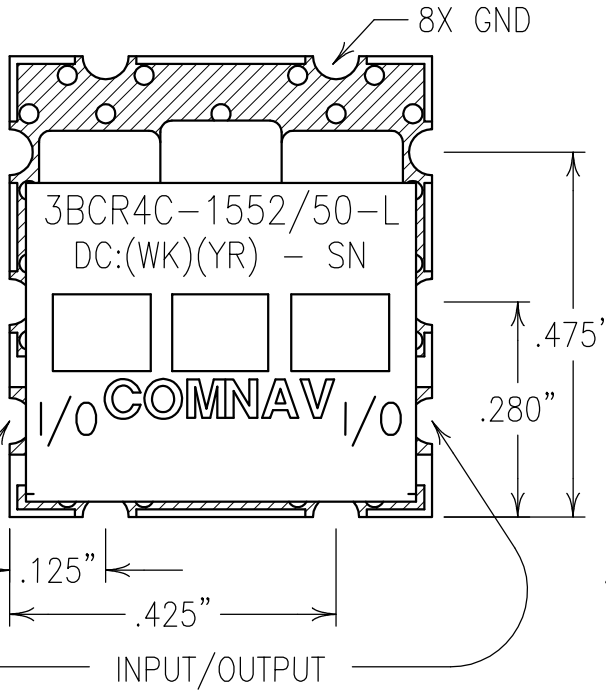
1



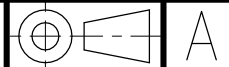
COPY

ELECTRICAL CHARACTERISTICS

CENTER FREQUENCY:	1552 MHz
PASSBAND:	1542 TO 1562 MHz
PASSBAND FLATNESS:	0.5 dB MAX
PASSBAND INSERTION LOSS:	3.0 dB MAX
VSWR:	1.5:1 TYPICAL
REJECTION:	
40 dBc MIN @ 1402-1422 MHz	
25 dBc MIN @ >=1682 MHz	
MAX INPUT CW POWER:	10 dBm



Confidential and Proprietary information of ComNav Engineering Inc. Do Not Duplicate or Use Without Permission. ComNav Engineering Inc. claims Copyright in this document as of the Creation, last revision, and last updated dates. All Rights Reserved.



NOTES:

RECOMMENDED FOOTPRINT: FP0128.

RECOMMENDED ATTACHMENT METHOD: SILVER EPOXY OR REFLOW NOT TO EXCEED AS INDICATED BELOW:
TEMP.(°C) MAX. TIME(SEC)

215	90
230	60
245	30
260	15

FILTER MAY BE LABELED OR ETCHED.
FILTER IS ROHS COMPLIANT.

ENGLISH / METRIC ENGLISH	CHECKED BY				
TOLERANCES UNLESS OTHERWISE SPECIFIED MACHINED SURFACES TO BE 125 / OR BETTER REMOVE ALL BURRS	DRAWN BY PBF				
	ENGINEER KJR	II	22OCT08	KJR	DEV. INI. ISS. PER 2951
		REV	DATE	BY	DCN No. REMARKS
ENGLISH (INCHES) .XX ±.02 .XXX ±.010	METRIC (MM) .X ±.25 .XX ±.13	SCALE 4:1	APPLIC: CERAMIC COAXIAL FILTER		
ANGLES ± 0° 30'	DATE 28OCT08	TITLE: 3BCR4C-1552/50-L			
	FINISH: BOARD: NI/GOLD JACKET: NI/SILVER RESONATOR: SILVER	DRAWING No.		SHEET OF 1 1	
		0L0955			