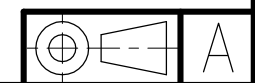
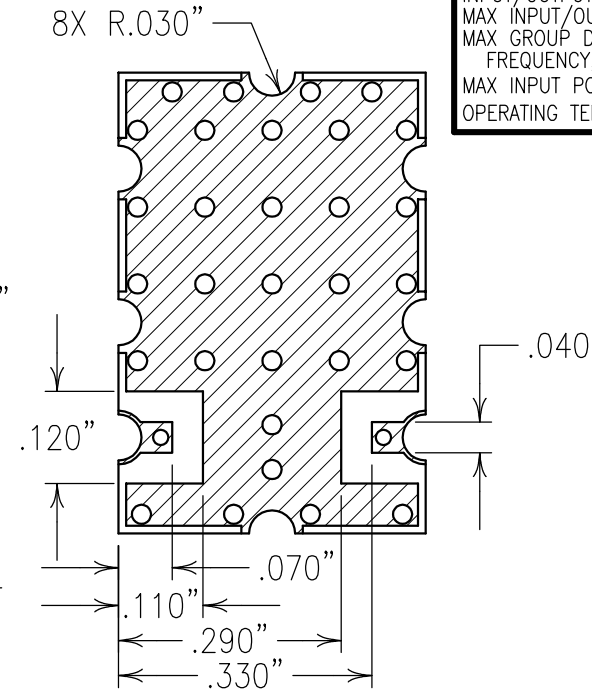
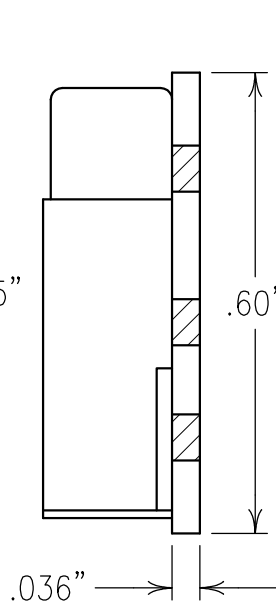
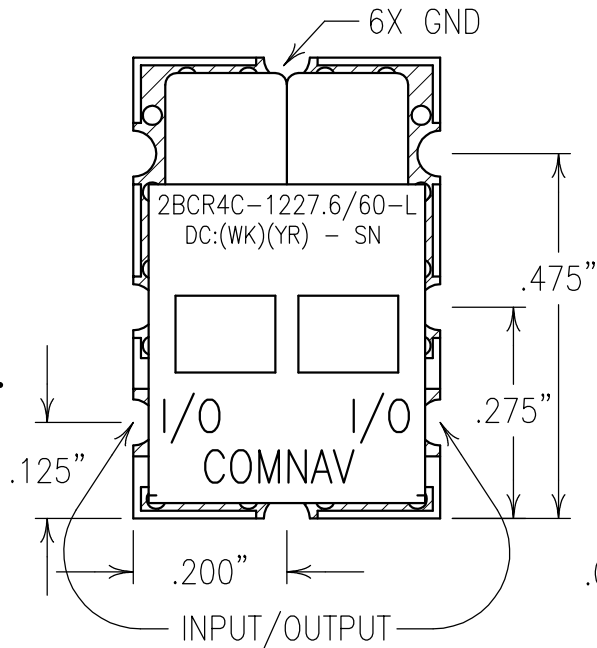


COPY

| ELECTRICAL CHARACTERISTICS | |
|--|---------------------------------|
| CENTER FREQUENCY: | 1227.60 MHz |
| MIN. 0.5 dB BANDWIDTH: | 1212.60-1242.60 MHz (30 MHz) |
| MAX INSERTION LOSS AT FO: | IL ≤ 2.0 dB |
| MINIMUM OUT OF BAND REJECTIONS: | |
| 0 TO 978 MHz: | ≥ 30 dBc |
| 978 TO 1128 MHz: | ≥ 20 dBc |
| 1128 TO 1178 MHz: | ≥ 8 dBc |
| 1277.60 TO 1327 MHz: | ≥ 8 dBc |
| 1327 TO 1477 MHz: | ≥ 20 dBc |
| ABOVE 1477 MHz: | ≥ 30 dBc |
| INPUT/OUTPUT IMPEDANCE: | 50 OHM |
| MAX INPUT/OUTPUT VSWR: | 2.0:1 |
| MAX GROUP DELAY VARIATION VERSUS FREQUENCY, INSIDE 0.5 dB BW: | ≤ 3 nSEC PK/PK |
| MAX INPUT POWER INSIDE BOTH BW: | +30 dBm |
| OPERATING TEMPERATURE: | -45° TO +85°C |



Confidential and Proprietary information of ComNav Engineering Inc. Do Not Duplicate or Use Without Permission. ComNav Engineering Inc. claims Copyright in this document as of the Creation, last revision, and last updated dates. All Rights Reserved.

NOTES:

RECOMMENDED ATTACHMENT METHOD: SILVER EPOXY OR REFLOW NOT TO EXCEED AS INDICATED BELOW:

| TEMP.(°C) MAX. | TIME(SEC) |
|----------------|-----------|
| 215 | 90 |
| 230 | 60 |
| 245 | 30 |
| 260 | 15 |

FILTER MAY BE LABELED OR ETCHED.
FILTER IS ROHS COMPLIANT.

| | | | | | |
|---|------------|--|---------|-----|---------|
| ENGLISH / METRIC ENGLISH | CHECKED BY | | | | |
| TOLERANCES UNLESS OTHERWISE SPECIFIED | DRAWN BY | | | | |
| MACHINED SURFACES TO BE 125 / OR BETTER | PBF | II | 01OCT08 | KJR | DEV. |
| REMOVE ALL BURRS | ENGINEER | REV | DATE | BY | DCN No. |
| | KJR | | | | REMARKS |
| ENGLISH (INCHES) | SCALE | APPLIC: CERAMIC COAXIAL FILTER | | | |
| METRIC (MM) | 4:1 | TITLE: 2BCR4C-1227.6/60-L | | | |
| .XX ±.02 | DATE | DRAWING No. | | | |
| .XXX ±.010 | 07OCT08 | SHEET OF 1 1 | | | |
| ANGLES ± 0° 30' | FINISH: | BOARD: NI/GOLD JACKET: NI/SILVER RESONATOR: SILVER | | | |
| | | 0L0949 | | | |