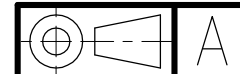
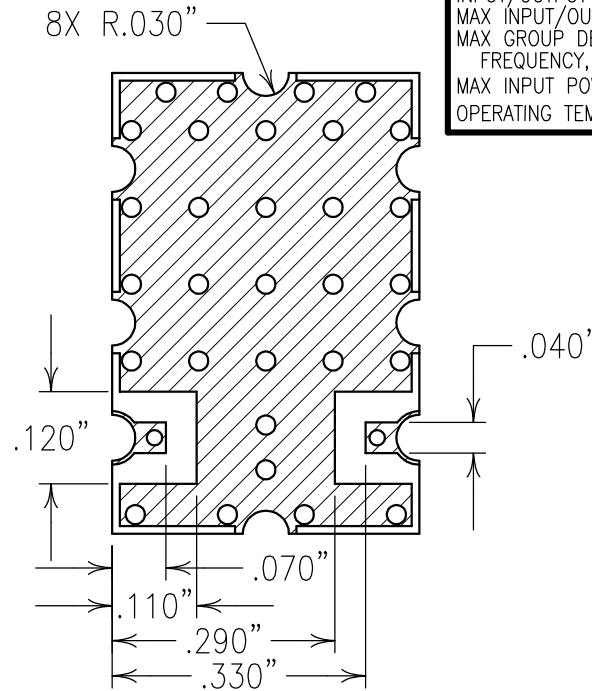
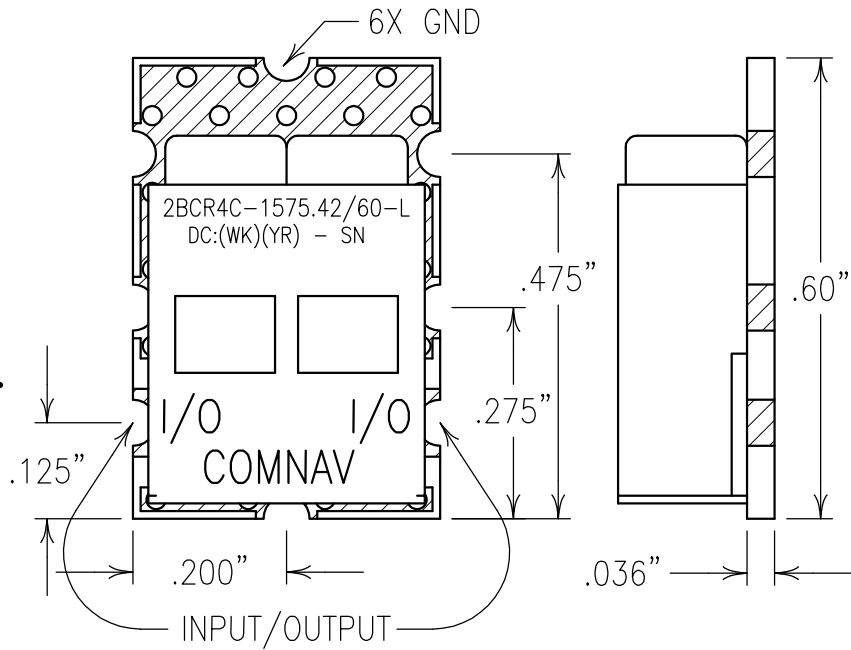


COPY

ELECTRICAL CHARACTERISTICS	
CENTER FREQUENCY:	1575.42 MHz
MIN. 0.5 dB BANDWIDTH:	1560.42-1590.42 MHz (30 MHz)
MAX INSERTION LOSS AT FO:	IL ≤ 2.0 dB
MINIMUM OUT OF BAND REJECTIONS:	
0 TO 1325 MHz:	≥ 30 dBc
1325 TO 1475 MHz:	≥ 20 dBc
1475 TO 1525 MHz:	≥ 8 dBc
1625 TO 1675 MHz:	≥ 8 dBc
1675 TO 1825 MHz:	≥ 20 dBc
ABOVE 1825 MHz:	≥ 30 dBc
INPUT/OUTPUT IMPEDANCE:	50 OHM
MAX INPUT/OUTPUT VSWR:	2.0:1
MAX GROUP DELAY VARIATION VERSUS FREQUENCY, INSIDE 0.5 dB BW:	≤ 3 nSEC PK/PK
MAX INPUT POWER INSIDE BOTH BW:	+30 dBm
OPERATING TEMPERATURE:	-45° TO +85°C



Confidential and Proprietary information of ComNav Engineering Inc. Do Not Duplicate or Use Without Permission. ComNav Engineering Inc. claims Copyright in this document as of the Creation, last revision, and last updated dates. All Rights Reserved.

NOTES:

RECOMMENDED ATTACHMENT METHOD: SILVER EPOXY OR REFLOW NOT TO EXCEED AS INDICATED BELOW:

TEMP.(°C) MAX. TIME(SEC)

215	90
230	60
245	30
260	15

FILTER MAY BE LABELED OR ETCHED.
FILTER IS ROHS COMPLIANT.

ENGLISH / METRIC ENGLISH	CHECKED BY				
TOLERANCES UNLESS OTHERWISE SPECIFIED	DRAWN BY				
MACHINED SURFACES TO BE 125 / OR BETTER	ENGINEER	II	01OCT08	KJR	DEV. INI. ISS. PER 2942
REMOVE ALL BURRS	REVISION	REV	DATE	BY	DCN No. REMARKS
ENGLISH (INCHES)	METRIC (MM)	SCALE	APPLIC: CERAMIC COAXIAL FILTER		
.XX ±.02	.X ±.25	DATE	TITLE: 2BCR4C-1575.42/60-L		
.XXX ±.010	.XX ±.13	07OCT08	DRAWING No. 010948		
ANGLES ± 0° 30'	FINISH:	BOARD: NI/GOLD JACKET: NI/SILVER RESONATOR: SILVER		SHEET OF 1 1	