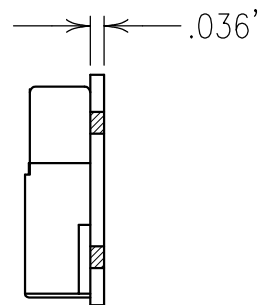
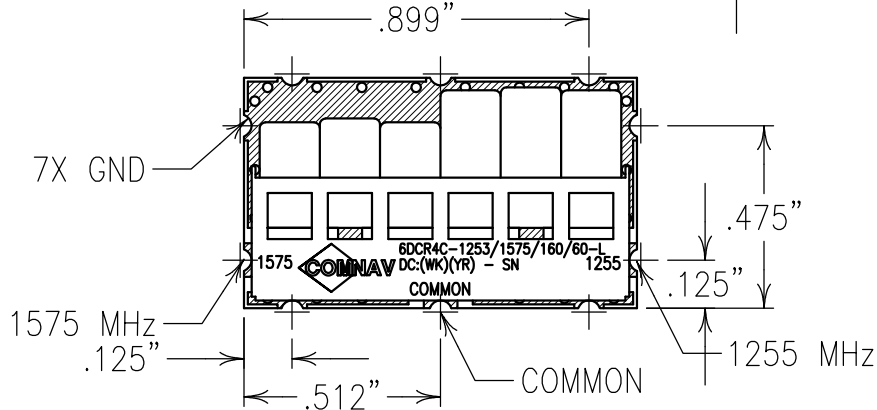
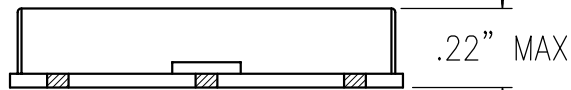
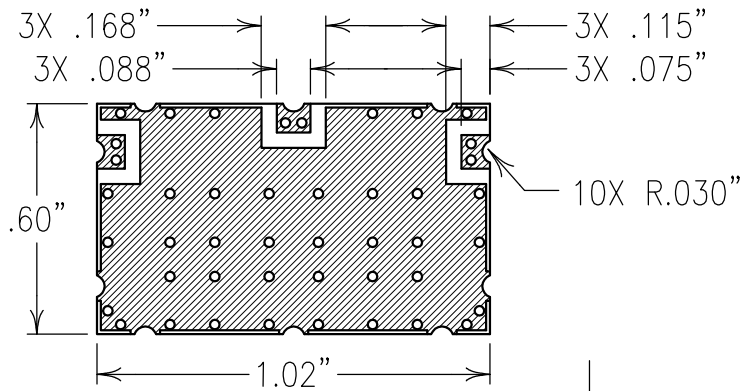


2

1



ELECTRICAL CHARACTERISTICS		
	CHANNEL 1	CHANNEL 2
CENTER FREQUENCY:	1575.42 MHz	1253.2 MHz
INSERTION LOSS @ FO:	1.0 dB MAX	0.7 dB MAX
0.5 dB BANDWIDTH:	30 MHz MIN	30 MHz MIN
MINIMUM REJECTIONS:		
FO ±50 MHz:	>10 dBc	
FO ±125 MHz:	>20 dBc	
FO ±250 MHz:	>35 dBc	
FO-450 MHz:		>40 dBc
FO -300 MHz:		>25 dB
FO -200 MHz:		>20 dB
FO +200 MHz:		>15 dB
FO +300 MHz:		>20 dB
PASSBAND GROUP DELAY:	2.0 nSEC	1.5 nSEC

COPY

NOTES:

RECOMMENDED ATTACHMENT METHOD: SILVER EPOXY
OR REFLOW NOT TO EXCEED AS INDICATED BELOW:

TEMP.(°C)	MAX.TIME(SEC)
215	90
230	60
245	30
260	15

FILTER IS ROHS COMPLIANT.
FILTER MAY BE LABELED OR ETCHED.

Confidential and Proprietary information of ComNav Engineering Inc. Do Not Duplicate or Use Without Permission. ComNav Engineering Inc. claims Copyright in this document as of the Creation, last revision, and last updated dates. All Rights Reserved.					
ENGLISH / METRIC ENGLISH	CHECKED BY				
TOLERANCES UNLESS OTHERWISE SPECIFIED MACHINED SURFACES TO BE 125 / OR BETTER REMOVE ALL BURRS	DRAWN BY PBF	II	01OCT08	KJR	DEV. INI. ISS. PER 2942
	ENGINEER KJR	REV	DATE	BY	DCN No. REMARKS
ENGLISH (INCHES) .XX ±.02 .XXX ±.010	METRIC (MM) .X ±.25 .XX ±.13	SCALE 2:1	APPLIC: CERAMIC COAXIAL FILTER		
ANGLES ± 0° 30'	DATE 27OCT08	TITLE: 6DCR4C-1253/1575/160/60-L			
		FINISH: BOARD: NI/AU JACKET: NI/SILVER RESONATOR: SILVER		DRAWING No. 0L0947	
					SHEET OF 1 1