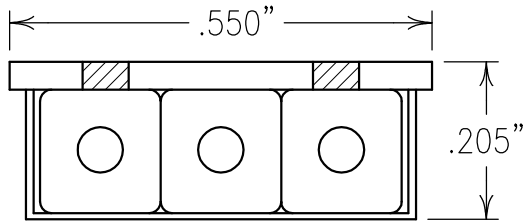


2

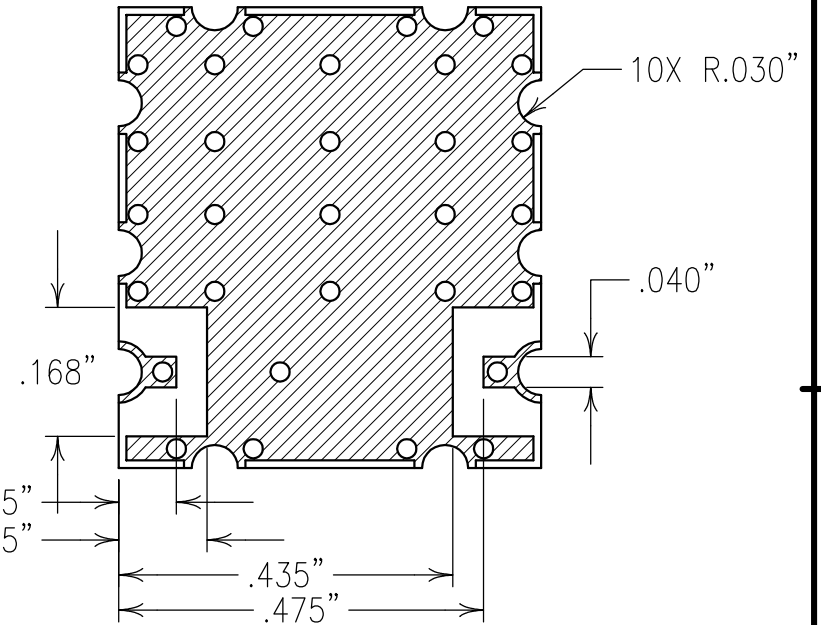
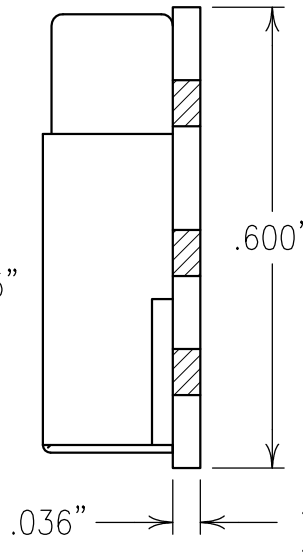
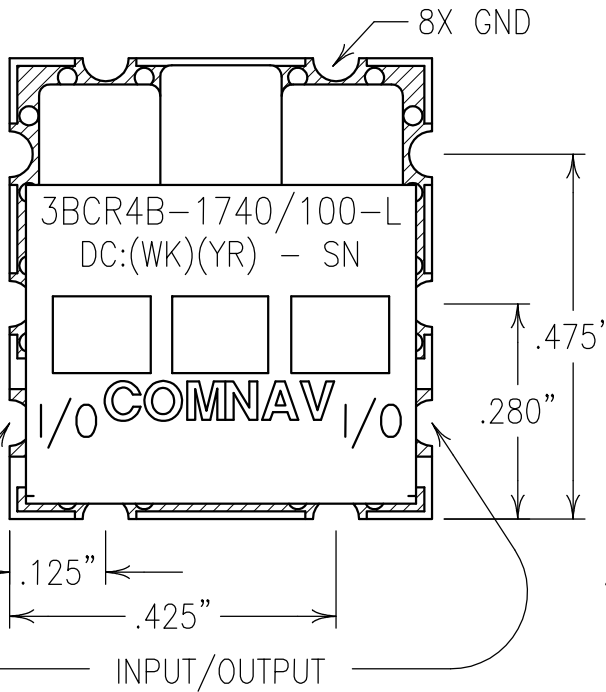
1



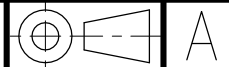
COPY

ELECTRICAL CHARACTERISTICS

CENTER FREQUENCY:	1740 MHz
PASSBAND:	1700 TO 1780 MHz
INSERTION LOSS OVER PASSBAND:	1.5 dB MAX
REJECTION CHARACTERISTICS:	
DC TO 1500 MHz:	40 dBc MIN
2000 TO 3000 MHz:	40 dBc MIN
IMPEDANCE:	50 OHMS
VSWR OVER THE PASSBAND(1):	1.5:1 MAX
TEMPERATURE RANGE:	-20 TO +85°C



Confidential and Proprietary information of ComNav Engineering Inc. Do Not Duplicate or Use Without Permission. ComNav Engineering Inc. claims Copyright in this document as of the Creation, last revision, and last updated dates. All Rights Reserved.



NOTES:

RECOMMENDED FOOTPRINT: FP0128.

RECOMMENDED ATTACHMENT METHOD: SILVER EPOXY OR REFLOW NOT TO EXCEED AS INDICATED BELOW:
 TEMP.(°C) MAX. TIME(SEC)

215	90
230	60
245	30
260	15

FILTER MAY BE LABELED OR ETCHED.
 FILTER IS ROHS COMPLIANT.

ENGLISH / METRIC ENGLISH	CHECKED BY				
TOLERANCES UNLESS OTHERWISE SPECIFIED MACHINED SURFACES TO BE 125 OR BETTER REMOVE ALL BURRS	DRAWN BY PBF				
	ENGINEER KJR	II	22SEP08	KJR	DEV. INI. ISS. PER 2930
		REV	DATE	BY	DCN No. REMARKS
ENGLISH (INCHES) .XX ±.02 .XXX ±.010	METRIC (MM) .X ±.25 .XX ±.13	SCALE 4:1	APPLIC: CERAMIC COAXIAL FILTER		
ANGLES ± 0° 30'	DATE 26SEP08	TITLE: 3BCR4B-1740/100-L			
	FINISH: BOARD: NI/GOLD JACKET: NI/SILVER RESONATOR: SILVER	DRAWING No. OL0936		SHEET OF 1 1	