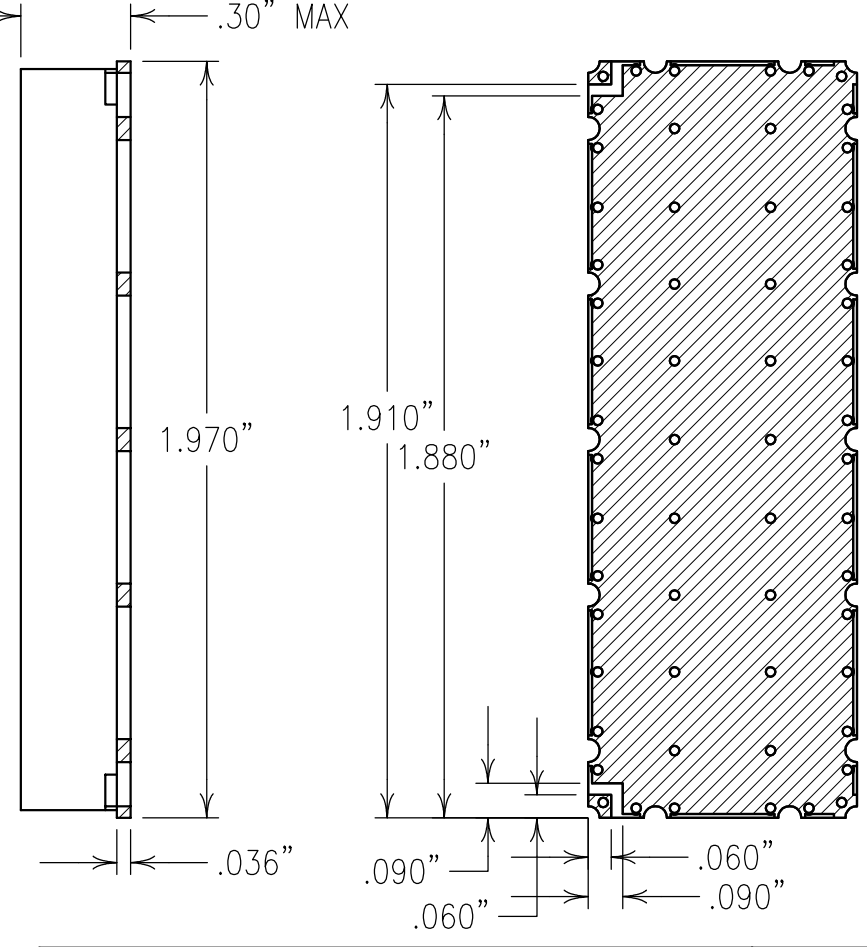
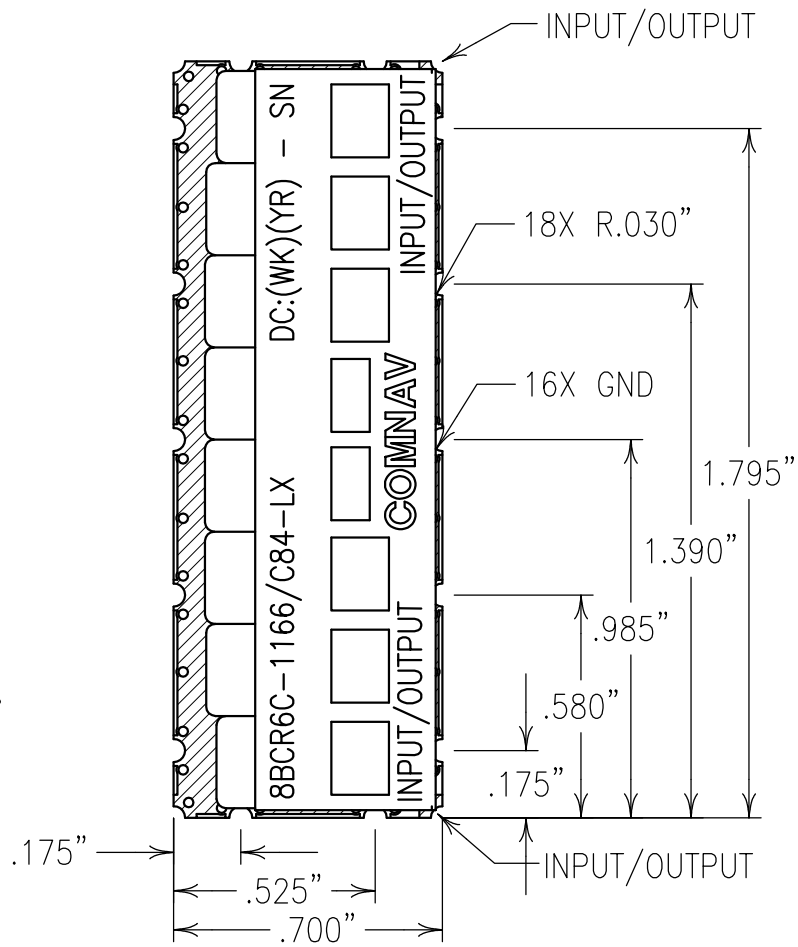


2

1

COPY



NOTES:

RECOMMENDED ATTACHMENT METHOD:  
SILVER EPOXY OR REFLOW NOT TO EXCEED AS INDICATED BELOW:

TEMP.(°C)	MAX.TIME(SEC)
215	90
230	60
245	30
260	15

ELECTRICAL CHARACTERISTICS	
CENTER FREQUENCY:	1166 MHz
INSERTION LOSS @ FO:	<2.5 dB
3 dB PASSBAND:	FO±27.5 MHz
0.5 dB PASSBAND:	FO±5.5 MHz
STOP-BAND ATTENUATION:	
DC-900 MHz:	>40 dBc
900-1100 MHz:	>60 dBc
1230-3000 MHz:	>60 dBc
PASSBAND GROUP DELAY VARIATION FO±27.5 MHz:	<10 nSEC
NOMINAL IMPEDANCE:	50 OHMS
INPUT VSWR:	<1.5:1
OUTPUT VSWR:	<1.5:1
INPUT POWER RATING:	≥ +30 dBm

Confidential and Proprietary information of ComNav Engineering Inc. Do Not Duplicate or Use Without Permission. ComNav Engineering Inc. claims Copyright in this document as of the Creation, last revision, and last updated dates. All Rights Reserved.

ENGLISH / METRIC		CHECKED BY			
ENGLISH		DRAWN BY			
TOLERANCES UNLESS OTHERWISE SPECIFIED		PBF			
MACHINED SURFACES TO BE 125 OR BETTER REMOVE ALL BURRS		ENGINEER			
ENGLISH (INCHES)		SCALE		APPLIC:	
.XX ±.02 .XXX ±.010		2:1		CERAMIC COAXIAL FILTER	
METRIC (MM)		DATE		TITLE:	
.X ±.25 .XX ±.13		22SEP08		8BCR6C-1166/C84-LX	
ANGLES ± 0° 30'		FINISH: JACKET: NI/SILVER RESONATOR: SILVER BOARD: NICKEL/GOLD		DRAWING No.	
COMNAV ENGINEERING INC				010934	

SHEET OF 1 1