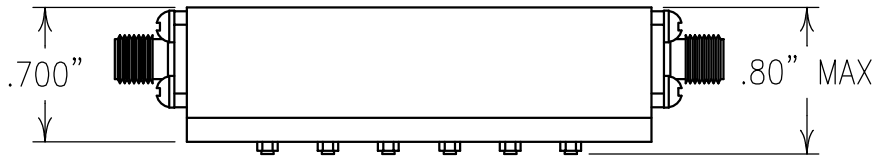


2

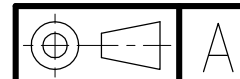
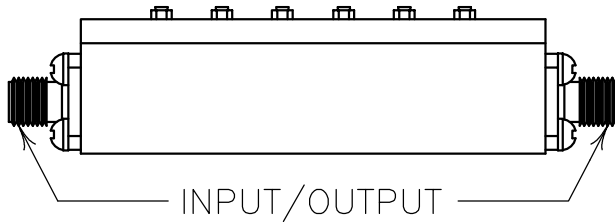
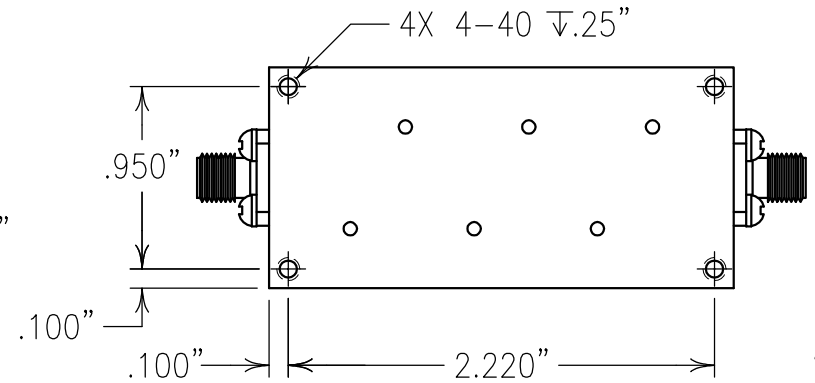
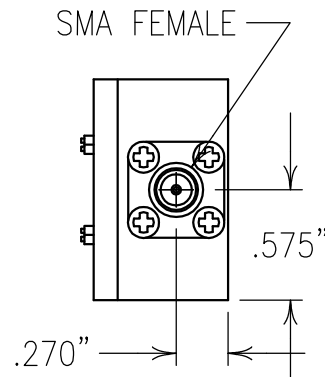
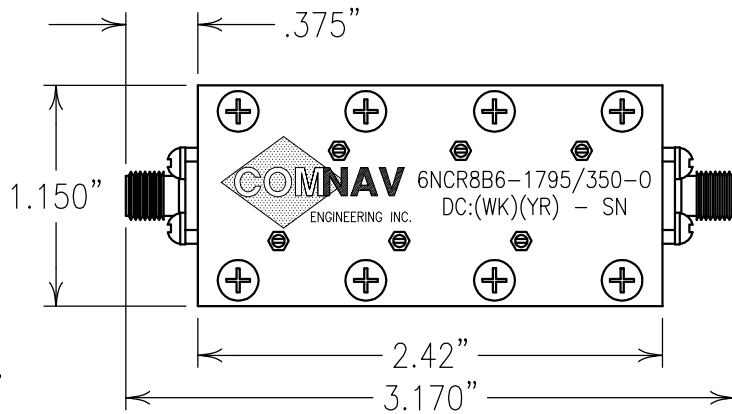
1



COPY

ELECTRICAL CHARACTERISTICS

CENTER FREQUENCY: 1795 MHz
 PASSBAND: 2025 TO 2125 MHz
 3 dB BANDWIDTH: 350 MHz NOM
 PASSBAND LOSS: 0.75 dB MAX
 VSWR: 1.5:1 TYPICAL
 REJECTION:
 60 dBc MIN @ 1710-1880 MHz



Confidential and Proprietary information of ComNav Engineering Inc. Do Not Duplicate or Use Without Permission. ComNav Engineering Inc. claims Copyright in this document as of the Creation, last revision, and last updated dates. All Rights Reserved.

NOTES:

ENGLISH / METRIC CHECKED BY ENGLISH									
TOLERANCES UNLESS OTHERWISE SPECIFIED MACHINED SURFACES TO BE 125 / OR BETTER REMOVE ALL BURRS	DRAWN BY								
	PBF	II	08SEP08	KJR	DEV.	INI.	ISS.	PER	2921
	ENGINEER	REV	DATE	BY	DCN No.	REMARKS			
	KJR								
ENGLISH (INCHES)	METRIC (MM)	SCALE	APPLIC: CERAMIC NOTCH FILTER						
.XX ±.02	.X ±.2	1:1	DATE		TITLE:			SHEET OF	
.XXX ±.01	.XX ±.13		19SEP08		6NCR8B6-1795/350-0			1 1	
ANGLES ± 0° 30'		MATERIAL: ALUMINUM			DRAWING No.				
COMNAV ENGINEERING INC.		FINISH: SILVER			010933				