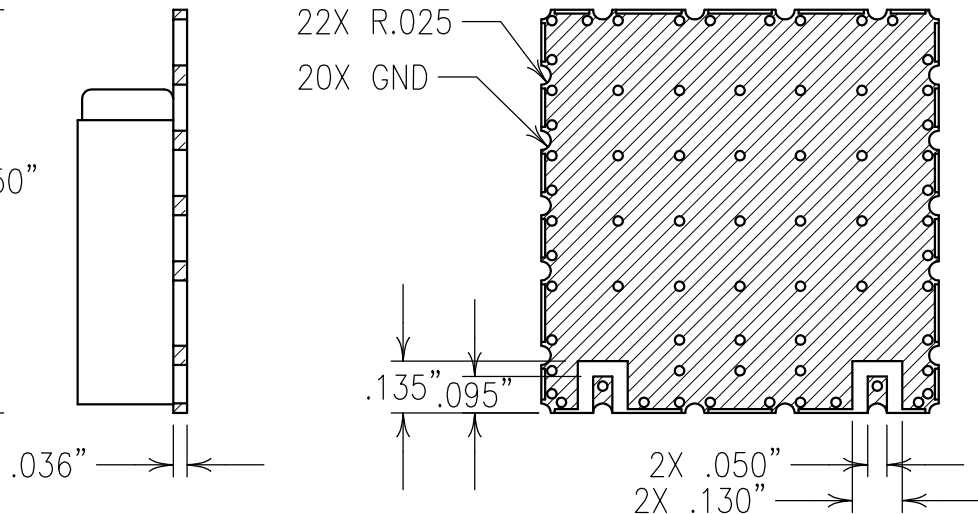
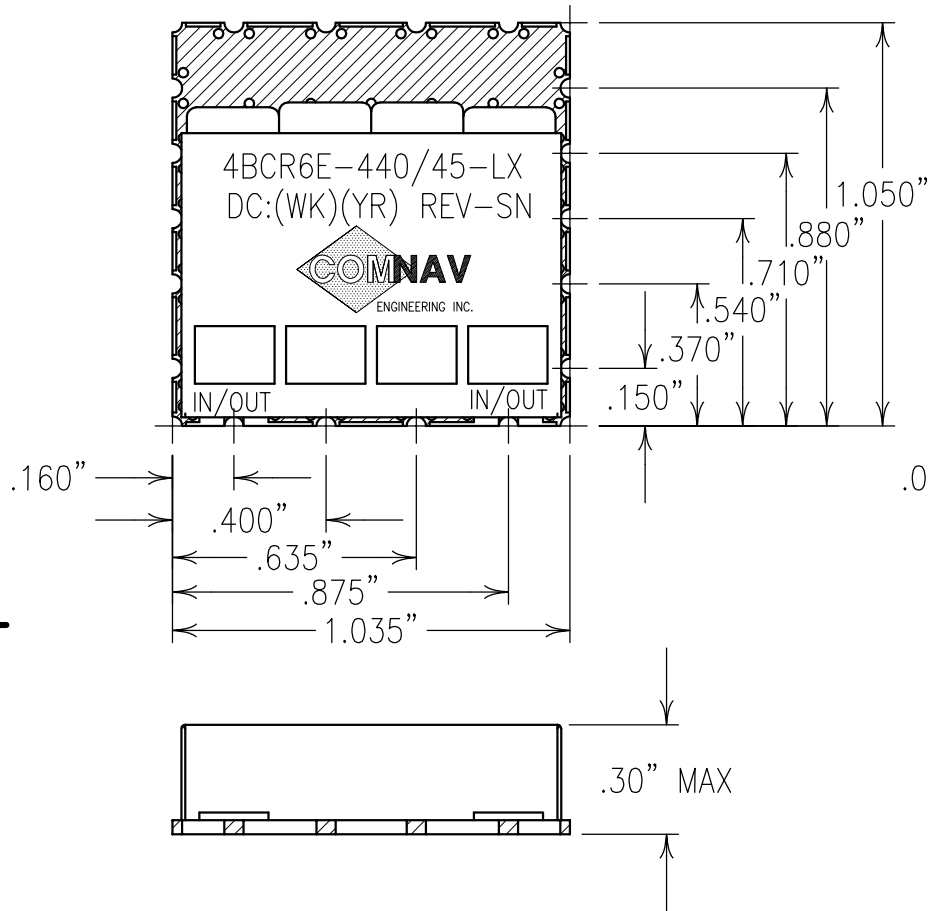


2

1



COPY

ELECTRICAL CHARACTERISTICS	
CENTER FREQUENCY:	440 MHz
PASSBAND:	420-460 MHz
PASSBAND LOSS:	3.0 dB MAX
VSWR:	1.5:1 TYPICAL
REJECTION	
40 dBc MIN @ DC-380 MHz	
40 dBc MIN @ 520-1150 MHz	
OPERATING TEMP.:	0 TO +50 °C
POWER HANDLING:	+10 dBm MAX

NOTES:
FOR RECOMMENDED FOOTPRINT SEE FP0143.

RECOMMENDED ATTACHMENT METHOD: SILVER EPOXY
OR REFLOW NOT TO EXCEED AS INDICATED BELOW:

TEMP.(°C)	MAX.TIME(SEC)
215	90
230	60
245	30
260	15

FILTER MAY BE LABELED OR ETCHED
FILTER IS ROHS COMPLIANT

Confidential and Proprietary information of ComNav Engineering Inc. Do Not Duplicate or Use Without Permission. ComNav Engineering Inc. claims Copyright in this document as of the Creation, last revision, and last updated dates. All Rights Reserved.

ENGLISH / METRIC ENGLISH	CHECKED BY				
TOLERANCES UNLESS OTHERWISE SPECIFIED TO BE 125 OR BETTER REMOVE ALL BURRS	DRAWN BY PBF				
	ENGINEER KJR	II	15JUL08	KJR	DEV. INI. ISS. PER 2903
	REV	DATE	BY	DCN No.	REMARKS

ENGLISH (INCHES)	METRIC (MM)	SCALE 2:1	APPLIC: CERAMIC COAXIAL FILTER
.XX ±.01 .XXX ±.020	.X ±.25 .XX ±.13	DATE 08AUG08	TITLE: 4BCR6E-440/45-LX
ANGLES ± 0° 30'			

COMNAV ENGINEERING INC.	FINISH: BOARD: NI/AU PLATED COPPER JACKET: NI/SILVER RESONATOR: SILVER	DRAWING No. 0L0922	SHEET OF 1 1
----------------------------	------------------------------------------------------------------------------	-----------------------	-----------------