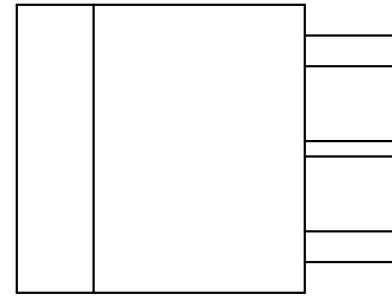
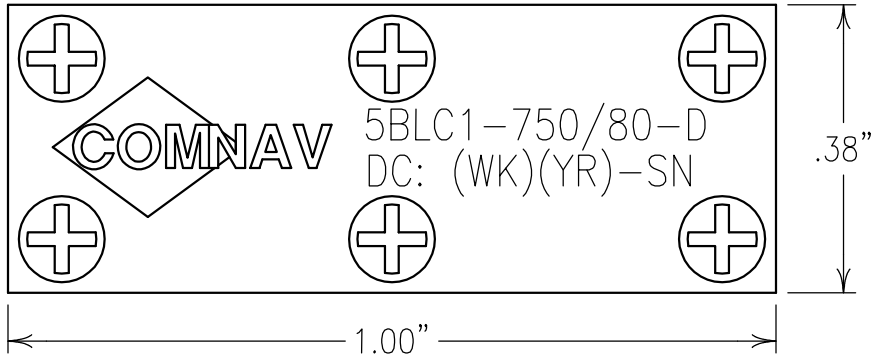


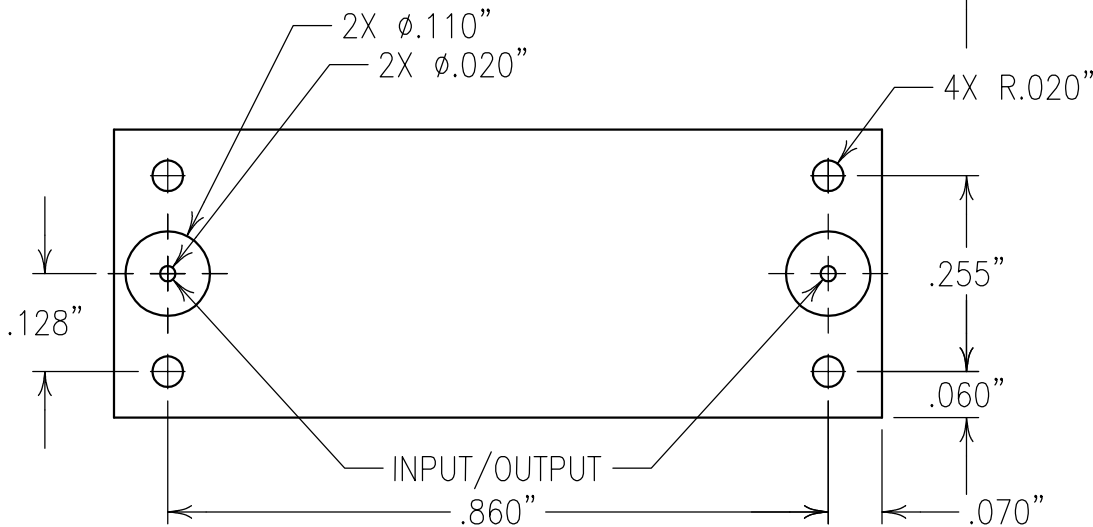
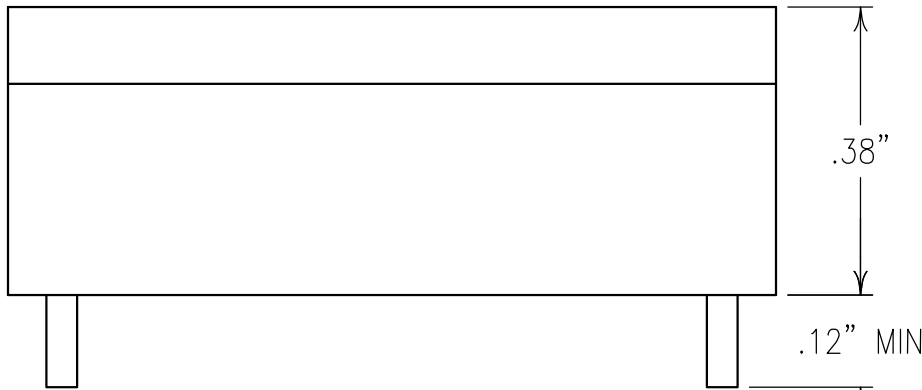
2

1



**COPY**

B



### ELECTRICAL CHARACTERISTICS

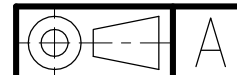
CENTER FREQUENCY:	750±3 MHz
INSERTION LOSS @ F0:	2.5 dB MAX
3 dB BANDWIDTH:	80±8 MHz
PASSBAND VSWR (50 OHM):	1.5:1 MAX
30 dBc MIN. STOP BANDS:	DC TO 600 MHz 900-1500 MHz

ELECTRICALLY AND MECHANICALLY COMPLIANT TO ELISRA DWG#9020A05110 REV. B SECTIONS 1 AND 2 ONLY. TEMPERATURE DATA INCLUDED IF REQUIRED IF ON THE PURCHASE ORDER.

#### NOTES:

THE HOUSING AND THE CORNER PINS ARE GROUND.

FILTER MAY BE LABELED OR ETCHED.  
FILTER IS ROHS COMPLIANT.



Confidential and Proprietary information of ComNav Engineering Inc. Do Not Duplicate or Use Without Permission. ComNav Engineering Inc. claims Copyright in this document as of the Creation, last revision, and last updated dates. All Rights Reserved.

ENGLISH / METRIC CHECKED BY					
ENGLISH					
TOLERANCES UNLESS OTHERWISE SPECIFIED MACHINED SURFACES TO BE 125 OR BETTER REMOVE ALL BURRS	DRAWN BY	A	17NOV08	KJR	GEN. REV. PER 2967
	ENGINEER	II	01MAY07	KJR	INI. ISS. PER 2658
		REV	DATE	BY	REMARKS
ENGLISH (INCHES)	METRIC (MM)	SCALE	APPLIC: CHIP AND WIRE FILTER		
.XX ±.02 .XXX ±.010	.X ±.25 .XX ±.13	4:1			
ANGLES ± 0° 30'		DATE	TITLE: 5BLC1-750/80-D		
		18NOV08			
FINISH: HOUSING: SILVER PINS: TINNED		DRAWING No.		SHEET OF 1 1	
COMNAV ENGINEERING INC		0L0921			

A