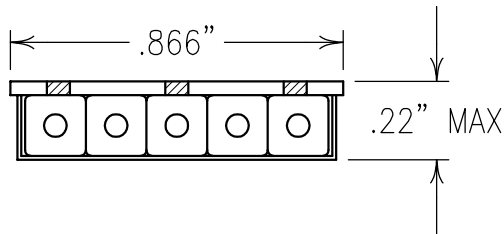


2

1

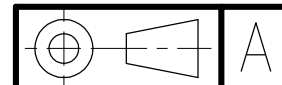
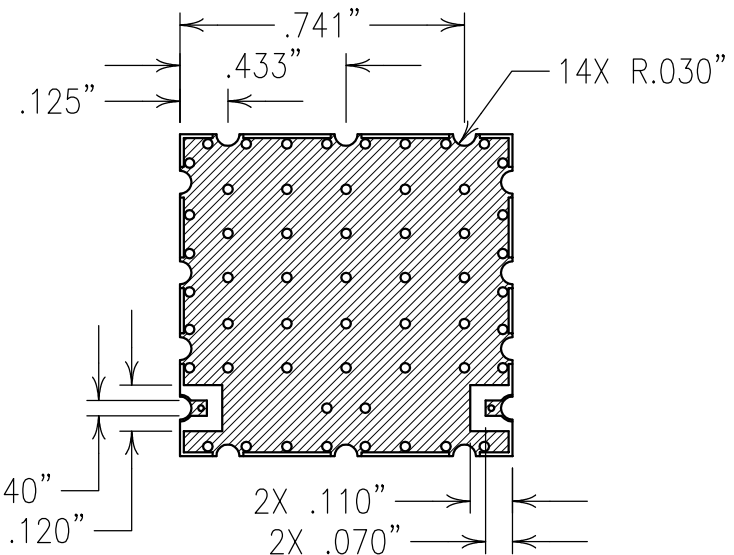
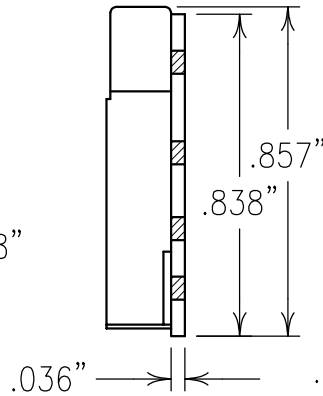
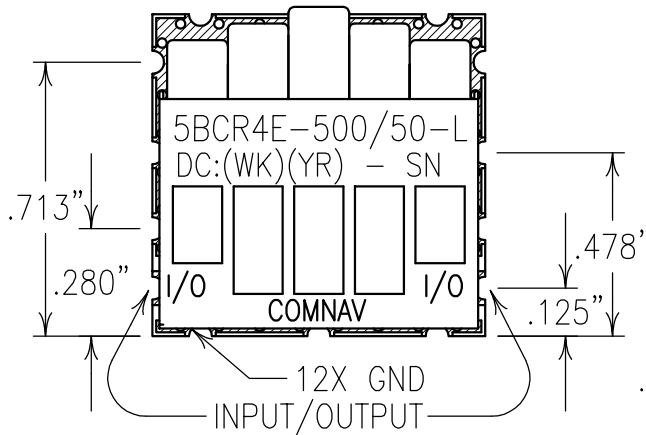


**COPY**

ELECTRICAL CHARACTERISTICS

CENTER FREQUENCY: 500 MHz  
 PASSBAND: 480-520 MHz  
 PASSBAND RIPPLE: 0.1 dB MAX PK TO PK  
 VSWR: 15 dB MIN TYPICAL  
 INSERTION LOSS: 1.5 dB MAX @ 500 MHz  
 REJECTION:  
 70 dBc MIN @ DC TO 400 MHz\*  
 \*DESIGN TO MEET: 60 dBc GUARANTEED

B



Confidential and Proprietary information of ComNav Engineering Inc. Do Not Duplicate or Use Without Permission. ComNav Engineering Inc. claims Copyright in this document as of the Creation, last revision, and last updated dates. All Rights Reserved.

NOTES:

RECOMMENDED FOOTPRINT: FP0124.

RECOMMENDED ATTACHMENT METHOD:

SILVER EPOXY OR REFLOW NOT TO EXCEED:

TEMP. (°C)	MAX. TIME (SECONDS)
215	90
230	60
245	30
260	15

FILTER IS ROHS COMPLIANT.  
 FILTER MAY BE LABELED OR ETCHED.

ENGLISH / METRIC ENGLISH		CHECKED BY					
TOLERANCES UNLESS OTHERWISE SPECIFIED MACHINED SURFACES TO BE 125/ OR BETTER REMOVE ALL BURRS		DRAWN BY PBF					
		ENGINEER KJR		II	30JUN08	KJR	DEV. INI. ISS. PER 2901
		SCALE 2:1		REV	DATE	BY	DCN No. REMARKS
ENGLISH (INCHES) .XX ±.02 .XXX ±.01	METRIC (MM) .X ±.25 .XX ±.13	APPLIC: CERAMIC COAXIAL FILTER		TITLE: 5BCR4E-500/50-L			
ANGLES ± 0° 30'		DATE 11AUG08		FINISH: BOARD: NI/AU JACKET: NI/SILVER RESONATOR: SILVER		DRAWING No. 0L0920	
				SHEET/OF 1/1			

A