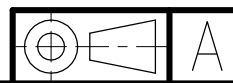
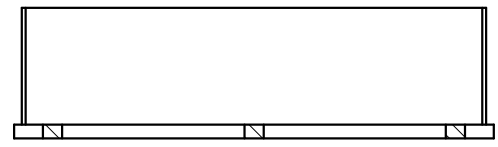
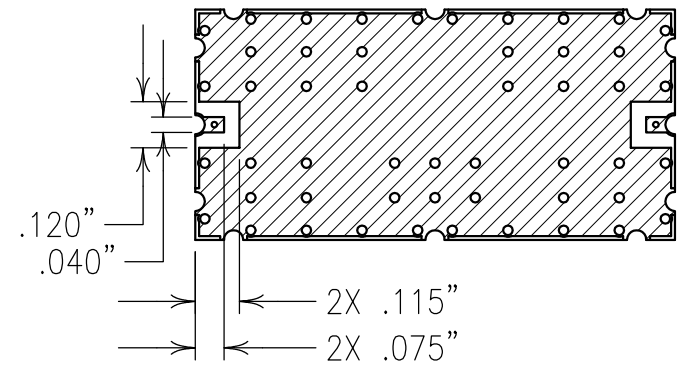
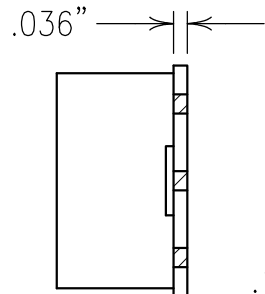
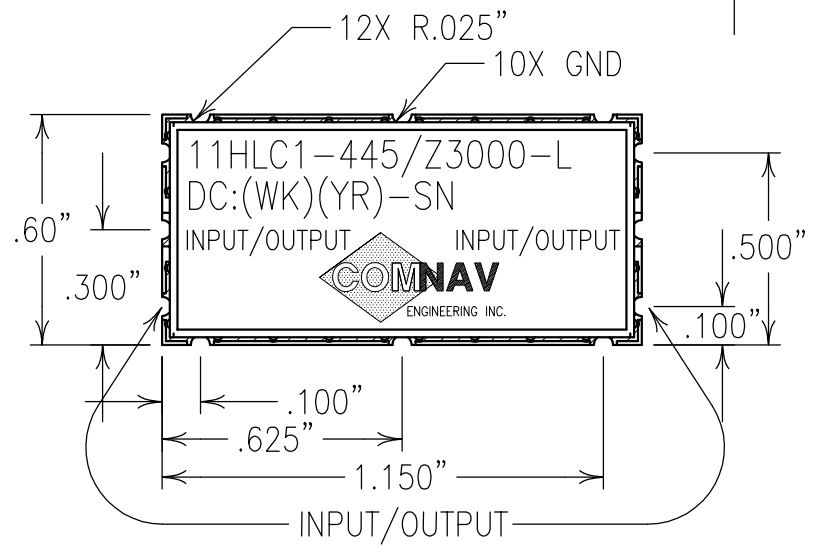
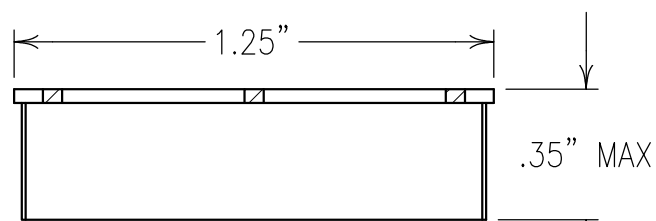


2

1

ELECTRICAL CHARACTERISTICS	
PASSBAND:	450-3,000 MHz
INSERTION LOSS:	1.3 dB MAX @ F0
VSWR:	1.5:1 MAX
REJECTION:	50 dBc MIN @ 400 MHz
POWER:	+33 dBm

COPY



Confidential and Proprietary information of ComNav Engineering Inc. Do Not Duplicate or Use Without Permission. ComNav Engineering Inc. claims Copyright in this document as of the Creation, last revision, and last updated dates. All Rights Reserved.

NOTES:

RECOMMENDED ATTACHMENT METHOD: SILVER EPOXY OR REFLOW NOT TO EXCEED AS INDICATED BELOW:

TEMP.(°C)	MAX. TIME(SEC)	
215	90	FILTER MAY BE LABELED OR ETCHED.
230	60	FILTER IS ROHS COMPLIANT.
245	30	
260	15	

ENGLISH / METRIC ENGLISH	CHECKED BY				
TOLERANCES UNLESS OTHERWISE SPECIFIED TO BE 125 / OR BETTER REMOVE ALL BURRS	DRAWN BY PBF				
	ENGINEER KJR	II	03JUL08	KJR	DEV. INI. ISS. PER 2897
		REV	DATE	BY	DCN No. REMARKS
ENGLISH (INCHES) .XX ±.02 .XXX ±.010	METRIC (MM) .X ±.25 .XX ±.13	SCALE 2:1	APPLIC: CERAMIC COAXIAL FILTER		
ANGLES ± 0° 30'	DATE 25JUL08	TITLE: 11HLC1-445/Z3000-L			
	FINISH: BOARD: NI/GOLD JACKET: NI/SILVER RESONATOR: SILVER	DRAWING No.		SHEET OF 1 1	
		0L0915			