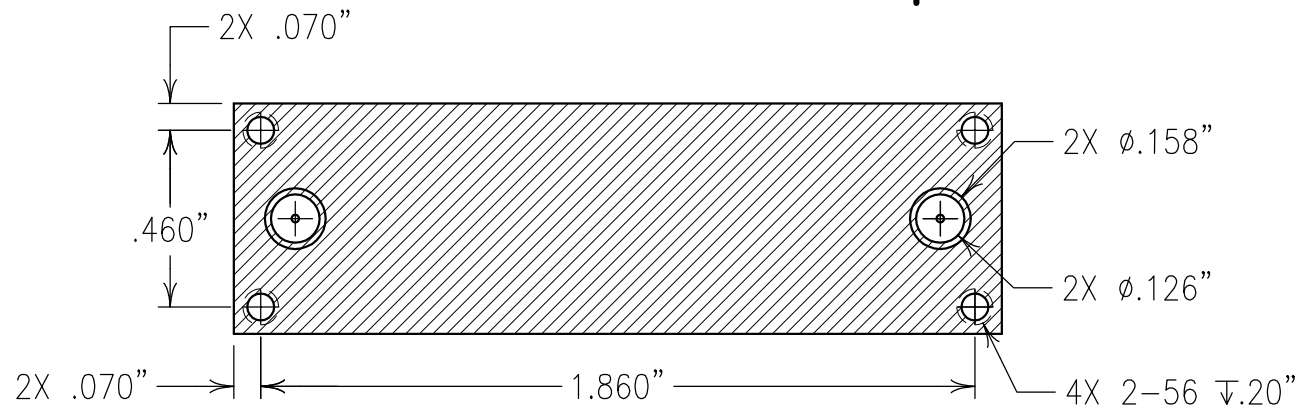
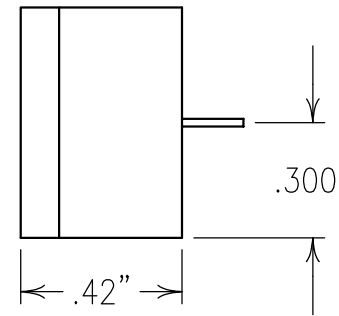
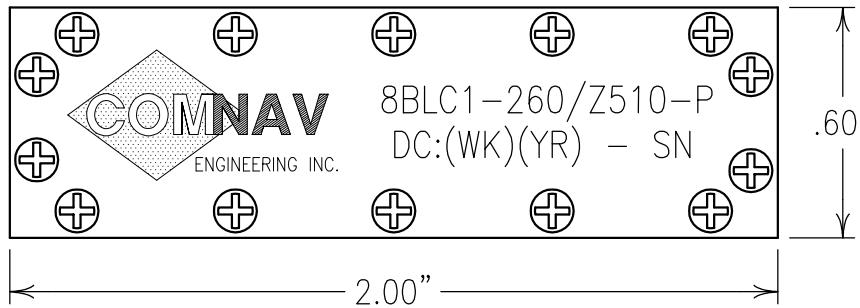


2

1

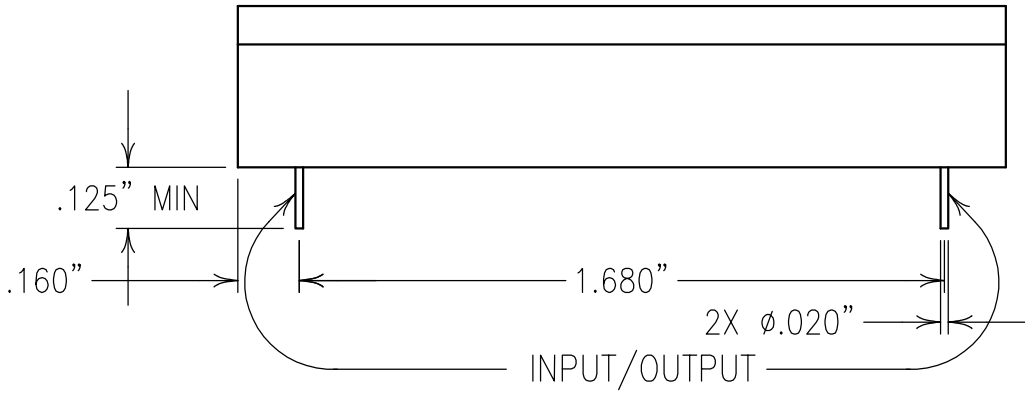
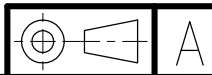


ELECTRICAL CHARACTERISTICS	
PASSBAND:	20-500 MHz
INSERTION LOSS:	1.0 dB MAX @ F0
VSWR:	1.5:1 MAX
REJECTION:	50 dBc MIN @ 15 MHz
	50 dBc MIN @ 625 MHz
POWER:	+33 dBm



**COPY**

GROUND



NOTES:

FILTER MAY BE LABELED OR ETCHED.

FILTER IS ROHS COMPLIANT.

ENGLISH / METRIC ENGLISH	CHECKED BY				
TOLERANCES UNLESS OTHERWISE SPECIFIED	DRAWN BY	A	14SEP09	MJG	DEV.
MACHINED SURFACES TO BE 125/ OR BETTER	ENGINEER	II	03JUL08	KJR	DEV.
REMOVE ALL BURRS	MJG	REV	DATE	BY	DCN No.
					REMARKS

ENGLISH (INCHES)	METRIC (MM)	SCALE	APPLIC:	SHEET OF 1 1
.XX $\pm$ .01 XXX $\pm$ .005	.X $\pm$ .2 .XX $\pm$ .13	2:1	CHIP AND WIRE FILTER	
ANGLES $\pm$ 0' 30'	DATE	TITLE:		
	17SEP09	8BLC1-260/Z510-P		

Confidential and Proprietary information of ComNav Engineering Inc. Do Not Duplicate or Use Without Permission. ComNav Engineering Inc. claims Copyright in this document as of the Creation, last revision, and last updated dates. All Rights Reserved.

	MATERIAL: ALUMINUM	DRAWING No.
	FINISH: SILVER	OL0914