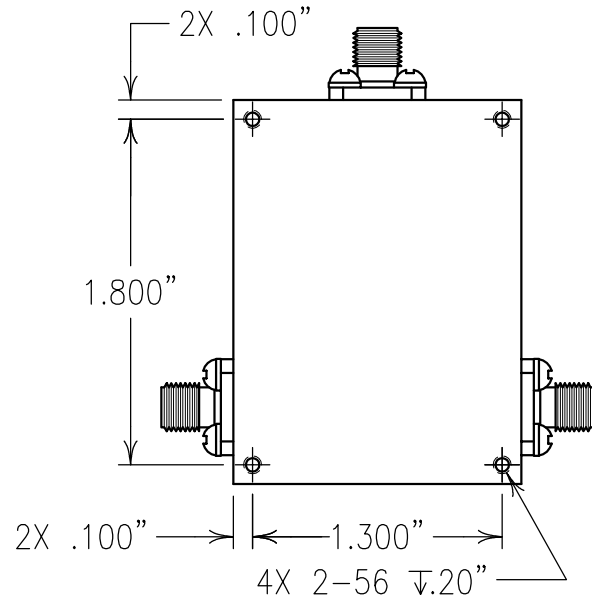
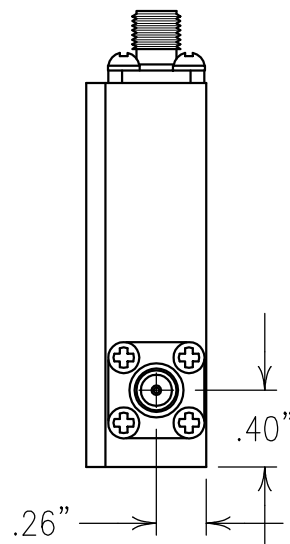
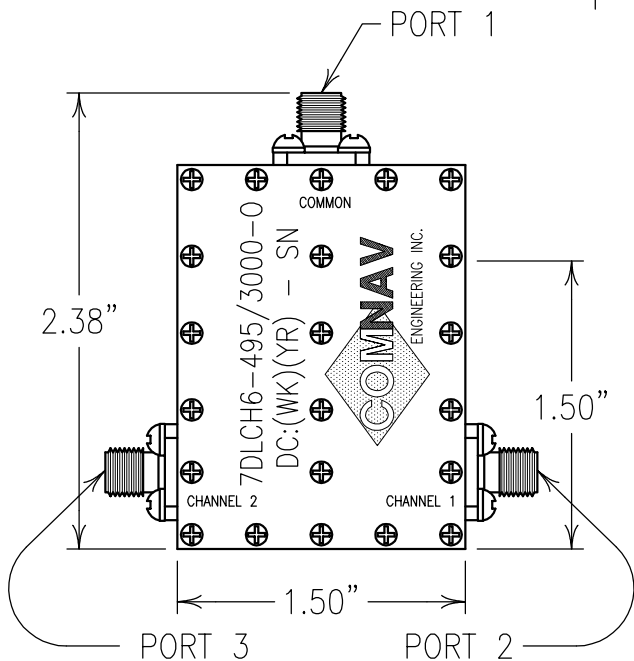


COPY

ELECTRICAL CHARACTERISTICS	
CHANNEL 1 PASSBAND:	DC-491 MHz
CHANNEL 1 REJECTION:	
555-3,000 MHz:	50 dBc
CHANNEL 2 PASSBAND:	499-3,000 MHz
CHANNEL 2 REJECTION:	
DC-435 MHz:	50 dBc
CROSSOVER REJECTION (BOTH):	
495±1 MHz:	5 dBc
PASSBAND LOSS (BOTH):	2.5 dB MAX



ENGLISH / METRIC ENGLISH	CHECKED BY				
TOLERANCES UNLESS OTHERWISE SPECIFIED	DRAWN BY	A	23JUL09	MJG	DEV. GEN. REV. PER 3093
MACHINED SURFACES TO BE 125 OR BETTER	ENGINEER	II	03JUL08	KJR	DEV. INI. ISS. PER 2897
REMOVE ALL BURRS	REV		DATE	BY	DCN No. REMARKS

NOTES:

FILTER MAY BE LABELED OR ETCHED.
FILTER IS ROHS COMPLIANT.

ENGLISH (INCHES)	METRIC (MM)	SCALE	APPLIC:	SHEET OF
.XX ±.01	.X ±.2	1:1	CHIP AND WIRE FILTER	
.XXX ±.005	.XX ±.13	DATE	TITLE:	1 1
ANGLES ± 0° 30'		23JUL09	7DLCH6-495/3000-0	

Confidential and Proprietary information of ComNav Engineering Inc. Do Not Duplicate or Use Without Permission. ComNav Engineering Inc. claims Copyright in this document as of the Creation, last revision, and last updated dates. All Rights Reserved.



MATERIAL: ALUMINUM
FINISH: SILVER

DRAWING No.
0L0913