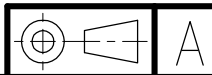
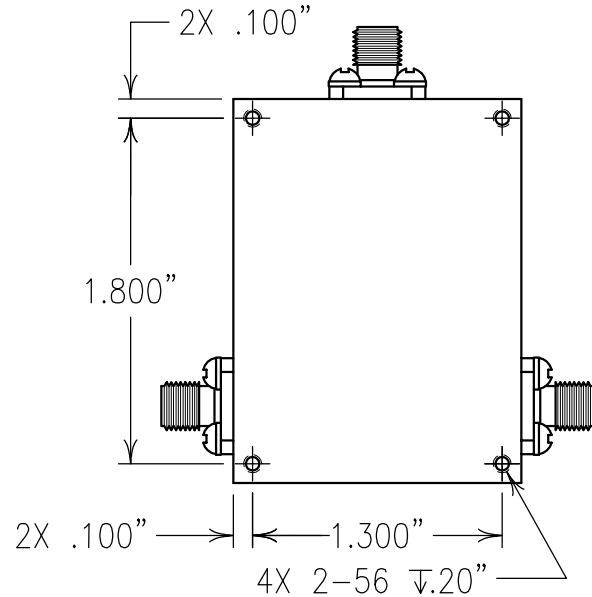
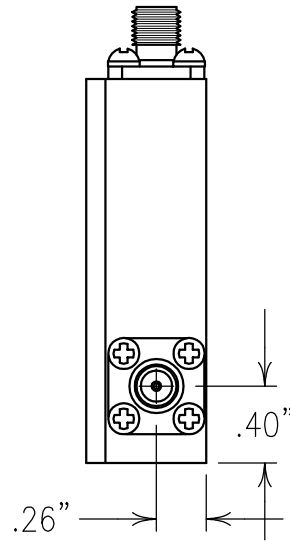
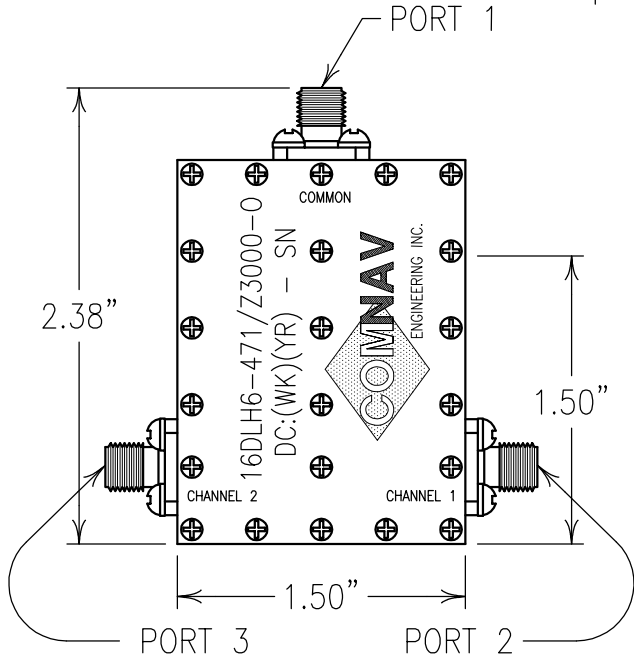


COPY

ELECTRICAL CHARACTERISTICS	
CHANNEL 1 PASSBAND:	DC-467 MHz
CHANNEL 1 REJECTION:	
527-3,000 MHz:	50 dBc
CHANNEL 2 PASSBAND:	475-3,000 MHz
CHANNEL 2 REJECTION:	
DC-414 MHz:	50 dBc
CROSSOVER REJECTION (BOTH):	
471±1 MHz:	5 dBc
PASSBAND LOSS (BOTH):	2.5 dB MAX



ENGLISH / METRIC ENGLISH	CHECKED BY	B	14SEP09	MJG	DEV.	GEN. REV. PER 3113
	DRAWN BY	A	23JUL09	MJG	DEV.	GEN. REV. PER 3093
TOLERANCES UNLESS OTHERWISE SPECIFIED MACHINED SURFACES TO BE 125 / OR BETTER REMOVE ALL BURRS	ENGINEER	II	03JUL08	KJR	DEV.	INI. ISS. PER 2897
	MJG	REV	DATE	BY	DCN No.	REMARKS

NOTES:

FILTER MAY BE LABELED OR ETCHED.
FILTER IS ROHS COMPLIANT.

ENGLISH (INCHES)	METRIC (MM)	SCALE 1:1	APPLIC: CHIP AND WIRE FILTER
.XX ±.01	.X ±.2	DATE 17SEP09	TITLE: 16DLH6-471/Z3000-0
.XXX ±.005	.XX ±.13		SHEET OF 1 1
ANGLES ± 0° 30'			

Confidential and Proprietary information of ComNav Engineering Inc. Do Not Duplicate or Use Without Permission. ComNav Engineering Inc. claims Copyright in this document as of the Creation, last revision, and last updated dates. All Rights Reserved.



MATERIAL: ALUMINUM
FINISH: SILVER

DRAWING No.
0L0909