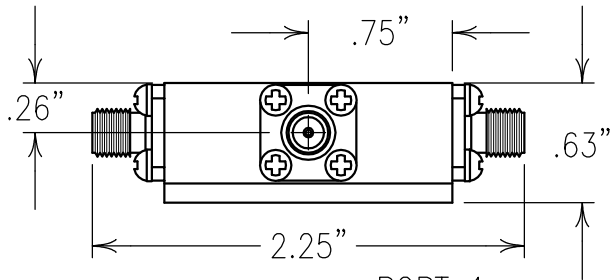


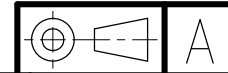
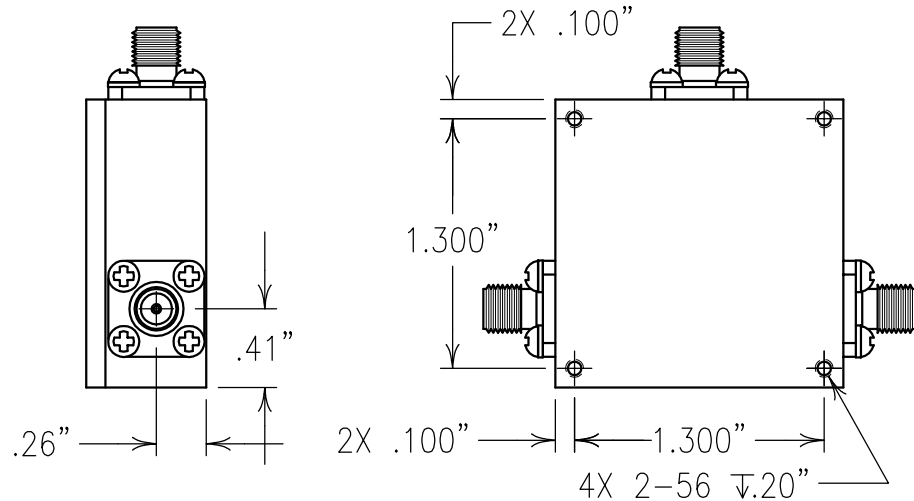
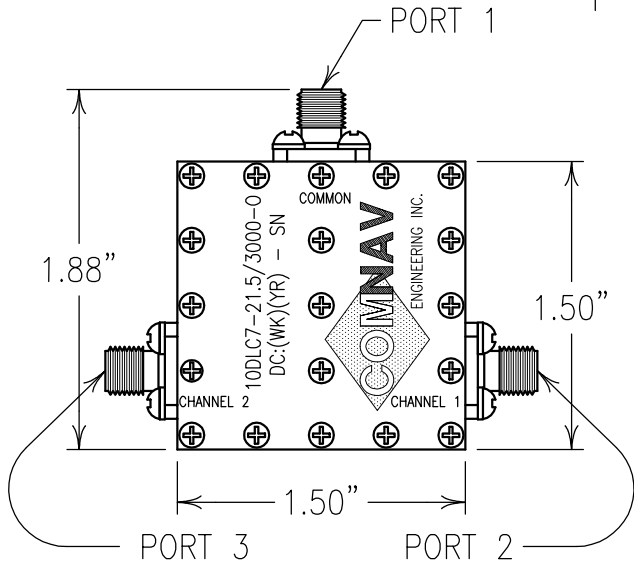
2

1



COPY

ELECTRICAL CHARACTERISTICS	
CHANNEL 1 PASSBAND:	0-21.5 MHz
CHANNEL 1 REJECTION:	
29-60 MHz:	3 dBc
60-500 (3,000 GOAL) MHz:	60 dBc
CHANNEL 2 PASSBAND:	21.5-500 (3,000 GOAL) MHz
CHANNEL 2 REJECTION:	
0-15 MHz:	25 dBc
CROSSOVER LOSS:	7 dB MAX



ENGLISH / METRIC ENGLISH	CHECKED BY				
TOLERANCES UNLESS OTHERWISE SPECIFIED	DRAWN BY				
MACHINED SURFACES TO BE 125 OR BETTER	ENGINEER	II	03JUL08	KJR	DEV. INI. ISS. PER 2897
REMOVE ALL BURRS	REVISIONS	REV	DATE	BY	DCN No. REMARKS

NOTES:

FILTER MAY BE LABELED OR ETCHED.
FILTER IS ROHS COMPLIANT.

ENGLISH (INCHES)	METRIC (MM)	SCALE	APPLIC:	SHEET OF
.XX ±.01	.X ±.2	1:1	CHIP AND WIRE FILTER	
.XXX ±.005	.XX ±.13	DATE	TITLE:	1 1
ANGLES ± 0° 30'		24JUL08	10DLC7-21.5/3000-0	

Confidential and Proprietary information of ComNav Engineering Inc. Do Not Duplicate or Use Without Permission. ComNav Engineering Inc. claims Copyright in this document as of the Creation, last revision, and last updated dates. All Rights Reserved.

COMNAV ENGINEERING INC.	MATERIAL: ALUMINUM	DRAWING No.
	FINISH: SILVER	0L0903