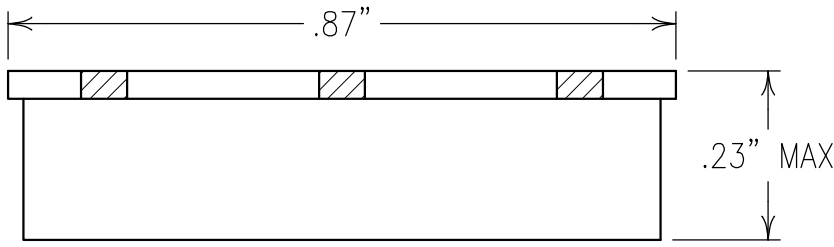


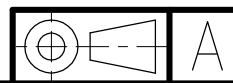
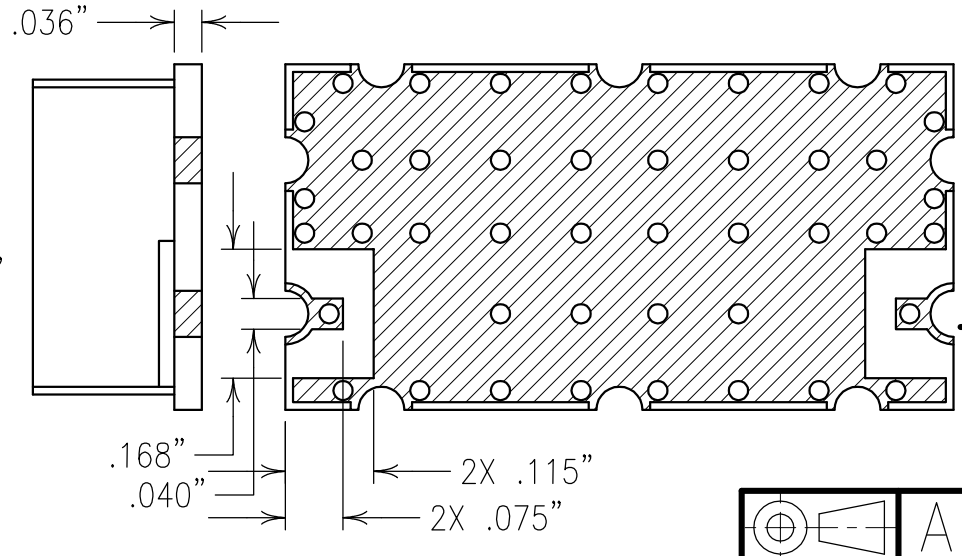
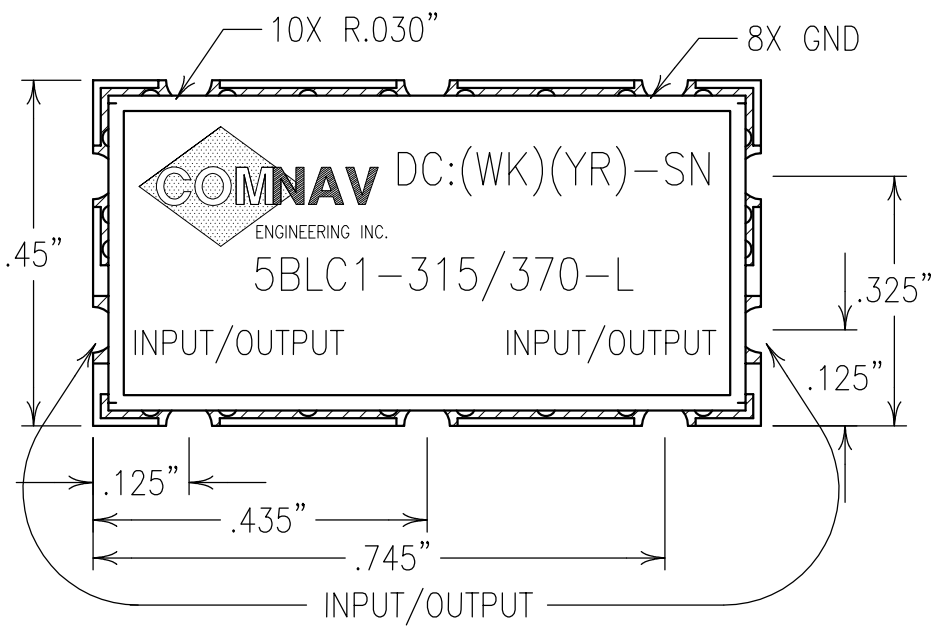
2

1



COPY

| ELECTRICAL CHARACTERISTICS | |
|----------------------------|------------------|
| CENTER FREQUENCY: | 315 MHz |
| PASSBAND: | 130-500 MHz |
| PASSBAND LOSS: | 2.0 dB MAX |
| REJECTION: | |
| | 30 dBc @ 50 MHz |
| | 50 dBc @ 800 MHz |
| OPERATING TEMP.: | -40 TO +85°C |
| PASSBAND VSWR: | 1.5:1 MAX |
| I/O IMPEDANCE: | 50 OHMS |
| POWER HANDLING: | 1 WATT |



Confidential and Proprietary information of ComNav Engineering Inc. Do Not Duplicate or Use Without Permission. ComNav Engineering Inc. claims Copyright in this document as of the Creation, last revision, and last updated dates. All Rights Reserved.

NOTES:

- RECOMMENDED FOOTPRINT: FP0127.
- RECOMMENDED ATTACHMENT METHOD: SILVER EPOXY OR REFLOW NOT TO EXCEED AS INDICATED BELOW:

| TEMP.(°C) | MAX. TIME(SEC) | |
|-----------|----------------|----------------------------------|
| 215 | 90 | FILTER MAY BE LABELED OR ETCHED. |
| 230 | 60 | FILTER IS ROHS COMPLIANT. |
| 245 | 30 | |
| 260 | 15 | |

| ENGLISH / METRIC | | CHECKED BY | | | | | |
|---|-------------|--|--|--------------------------------|--------------------|-----|-------------------------|
| ENGLISH | | DRAWN BY | | | | | |
| TOLERANCES UNLESS OTHERWISE SPECIFIED | | PBF | | | | | |
| MACHINED SURFACES TO BE 125 / OR BETTER | | ENGINEER | | II | 18JUN08 | KJR | DEV. INI. ISS. PER 2894 |
| REMOVE ALL BURRS | | KJR | | REV | DATE | BY | DCN No. REMARKS |
| ENGLISH (INCHES) | METRIC (MM) | SCALE | | APPLIC: CERAMIC COAXIAL FILTER | | | |
| .XX ±.02 | .X ±.25 | 4:1 | | TITLE: 5BLC1-315/370-L | | | |
| .XXX ±.010 | .XX ±.13 | DATE | | | | | |
| ANGLES ± 0° 30' | | 09JUL08 | | | | | |
| COMNAV ENGINEERING INC. | | FINISH: BOARD: NI/GOLD JACKET: NI/SILVER RESONATOR: SILVER | | | DRAWING No. 0L0902 | | SHEET OF 1 1 |