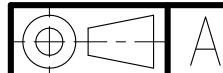
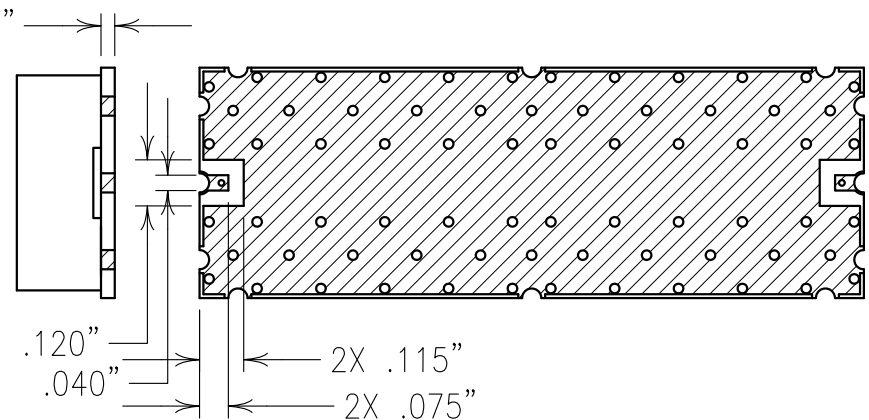
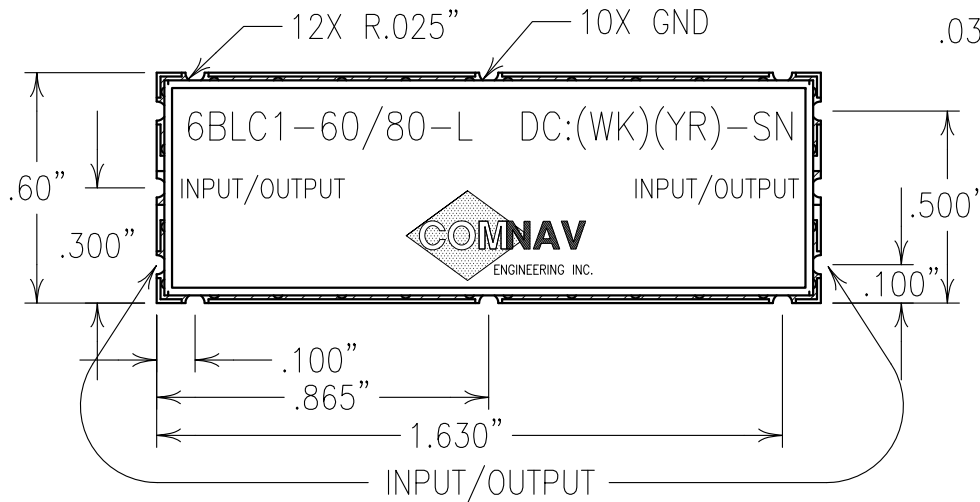
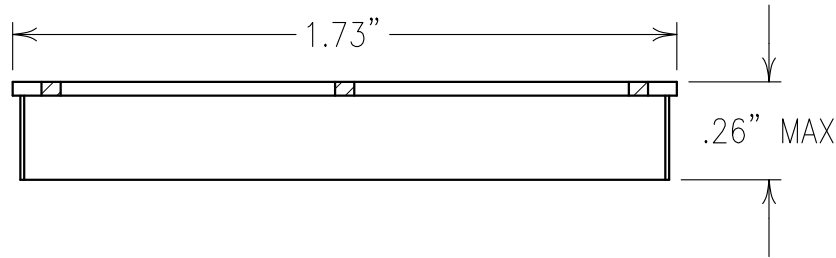


### ELECTRICAL CHARACTERISTICS

CENTER FREQUENCY: 60 MHz  
 PASSBAND: 20-100 MHz  
 PASSBAND LOSS: 2.0 dB MAX  
 REJECTION:  
   55 dBc @ 125 MHz  
   30 dBc @ 10 MHz  
 OPERATING TEMP.: -40 TO +75°C  
 PASSBAND VSWR: 1.5:1 MAX  
 I/O IMPEDANCE: 50 OHMS  
 POWER HANDLING: 1 WATT

# COPY



Confidential and Proprietary information of ComNav Engineering Inc. Do Not Duplicate or Use Without Permission. ComNav Engineering Inc. claims Copyright in this document as of the Creation, last revision, and last updated dates. All Rights Reserved.

#### NOTES:

RECOMMENDED ATTACHMENT METHOD: SILVER EPOXY  
 OR REFLOW NOT TO EXCEED AS INDICATED BELOW:

TEMP.(°C)	MAX. TIME(SEC)	
215	90	FILTER MAY BE LABELED OR ETCHED.
230	60	FILTER IS ROHS COMPLIANT.
245	30	
260	15	

ENGLISH / METRIC ENGLISH	CHECKED BY				
TOLERANCES UNLESS OTHERWISE SPECIFIED TO BE 125 OR BETTER MACHINED SURFACES REMOVE ALL BURRS	DRAWN BY PBF				
	ENGINEER KJR	II	18JUN08	KJR	DEV. INI. ISS. PER 2894
		REV	DATE	BY	DCN No. REMARKS
ENGLISH (INCHES) .XX ±.02 .XXX ±.010	METRIC (MM) .X ±.25 .XX ±.13	SCALE 2:1	APPLIC: CERAMIC COAXIAL FILTER		
ANGLES ± 0° 30'	DATE 09JUL08	TITLE: 6BLC1-60/80-L			
	FINISH: BOARD: NI/GOLD JACKET: NI/SILVER RESONATOR: SILVER	DRAWING No. OL0900		SHEET OF 1 1	