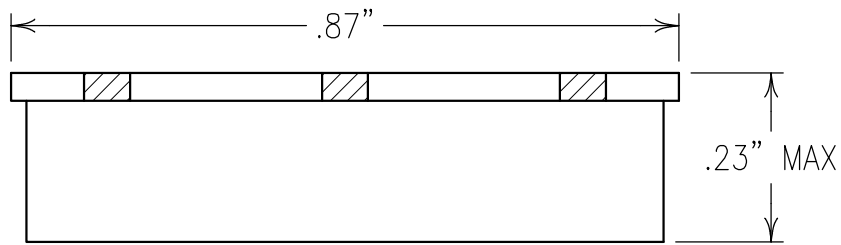


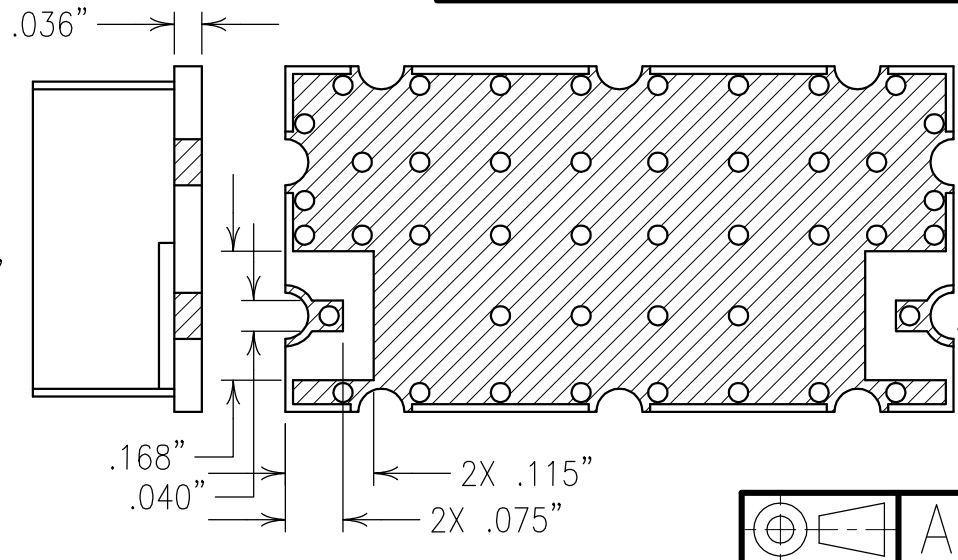
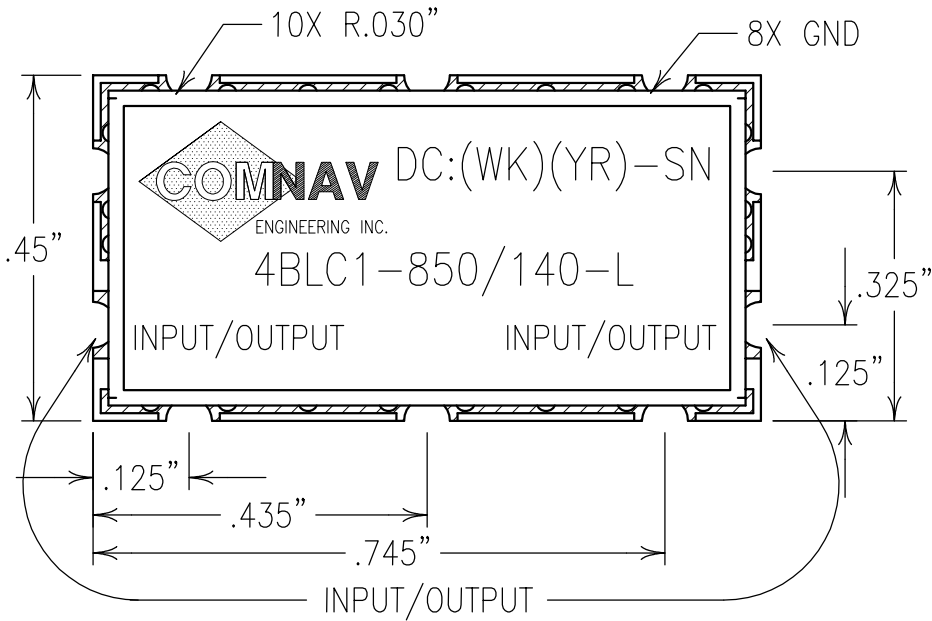
2

1



COPY

ELECTRICAL CHARACTERISTICS	
CENTER FREQUENCY:	850 MHz
PASSBAND:	800-900 MHz
PASSBAND LOSS:	2.0 dB MAX
REJECTION:	
60 dBc @ 500 MHz	
50 dBc @ 1300 MHz	
OPERATING TEMP.:	-40 TO +85°C
PASSBAND VSWR:	1.5:1 MAX
I/O IMPEDANCE:	50 OHMS
POWER HANDLING:	1 WATT



Confidential and Proprietary information of ComNav Engineering Inc. Do Not Duplicate or Use Without Permission. ComNav Engineering Inc. claims Copyright in this document as of the Creation, last revision, and last updated dates. All Rights Reserved.

NOTES:

RECOMMENDED FOOTPRINT: FP0127.

RECOMMENDED ATTACHMENT METHOD: SILVER EPOXY OR REFLOW NOT TO EXCEED AS INDICATED BELOW:

TEMP.(°C)	MAX. TIME(SEC)	
215	90	FILTER MAY BE LABELED OR ETCHED.
230	60	FILTER IS ROHS COMPLIANT.
245	30	
260	15	

ENGLISH / METRIC ENGLISH	CHECKED BY				
TOLERANCES UNLESS OTHERWISE SPECIFIED TO BE 125 / OR BETTER REMOVE ALL BURRS	DRAWN BY PBF				
ENGLISH (INCHES) .XX ±.02 .XXX ±.010 ANGLES ± 0° 30'	ENGINEER KJR	REV II	DATE 18JUN08	BY KJR	DCN No. DEV.
	SCALE 4:1	APPLIC: CERAMIC COAXIAL FILTER			
	DATE 09JUL08	TITLE: 4BLC1-850/140-L			
COMNAV ENGINEERING INC.	FINISH: BOARD: NI/GOLD JACKET: NI/SILVER RESONATOR: SILVER	DRAWING No. 0L0897			SHEET OF 1 1