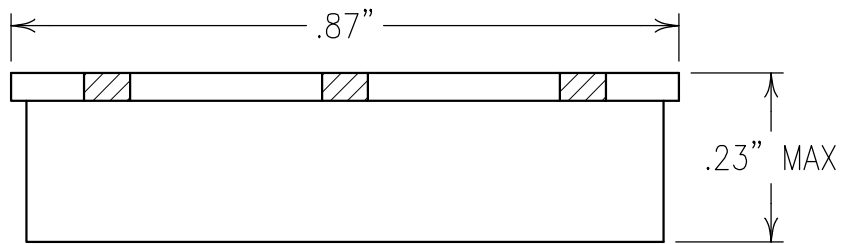


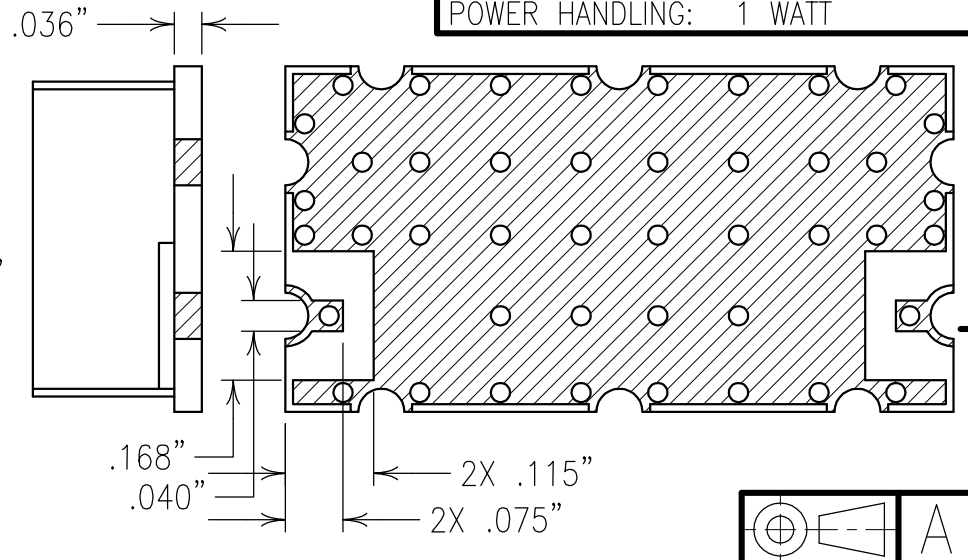
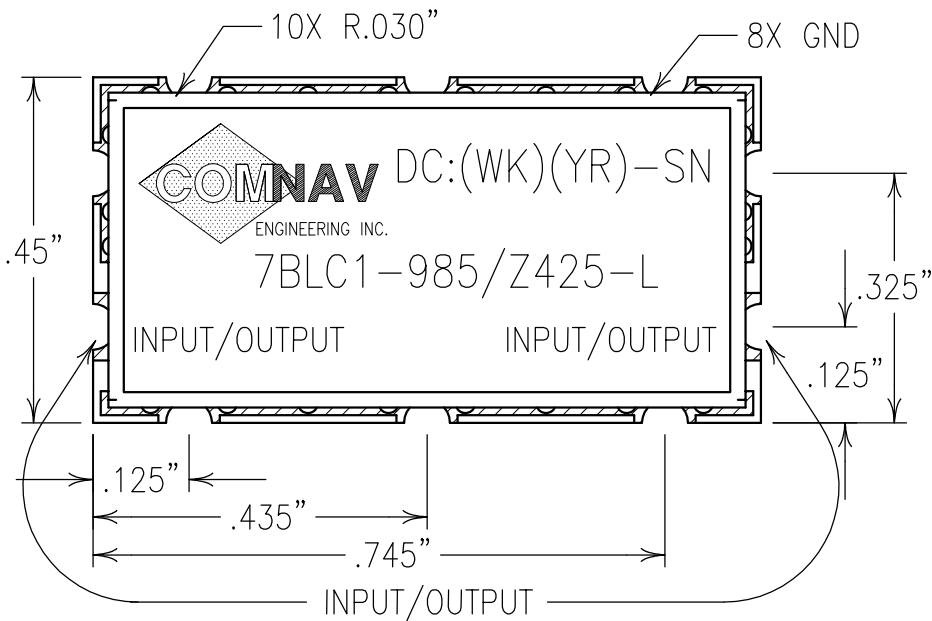
2

1



COPY

ELECTRICAL CHARACTERISTICS	
CENTER FREQUENCY:	985 MHz
PASSBAND:	800-1170 MHz
PASSBAND LOSS:	2.0 dB MAX
REJECTION:	
	35 dBc @ 1300 MHz
	45 dBc @ 500 MHz
	45 dBc @ 1640 MHz
OPERATING TEMP.:	-40 TO +85°C
PASSBAND VSWR:	1.5:1 MAX
I/O IMPEDANCE:	50 OHMS
POWER HANDLING:	1 WATT



Confidential and Proprietary information of ComNav Engineering Inc. Do Not Duplicate or Use Without Permission. ComNav Engineering Inc. claims Copyright in this document as of the Creation, last revision, and last updated dates. All Rights Reserved.

NOTES:

RECOMMENDED FOOTPRINT: FP0127.

RECOMMENDED ATTACHMENT METHOD: SILVER EPOXY OR REFLOW NOT TO EXCEED AS INDICATED BELOW:

TEMP.(°C)	MAX. TIME(SEC)	
215	90	FILTER MAY BE LABELED OR ETCHED.
230	60	FILTER IS ROHS COMPLIANT.
245	30	
260	15	

ENGLISH / METRIC ENGLISH	CHECKED BY				
TOLERANCES UNLESS OTHERWISE SPECIFIED MACHINED SURFACES TO BE 125 / OR BETTER REMOVE ALL BURRS	DRAWN BY PBF				
ENGLISH (INCHES) .XX ±.02 .XXX ±.010	ENGINEER KJR	II	18JUN08	KJR	DEV. INI. ISS. PER 2894
ANGLES ± 0° 30'	SCALE 4:1	REV	DATE	BY	DCN No. REMARKS
	DATE 09JUL08	APPLIC: CERAMIC COAXIAL FILTER			
		TITLE: 7BLC1-985/Z425-L			
	FINISH: BOARD: NI/GOLD JACKET: NI/SILVER RESONATOR: SILVER	DRAWING No.			SHEET OF 1 1
		0L0896			