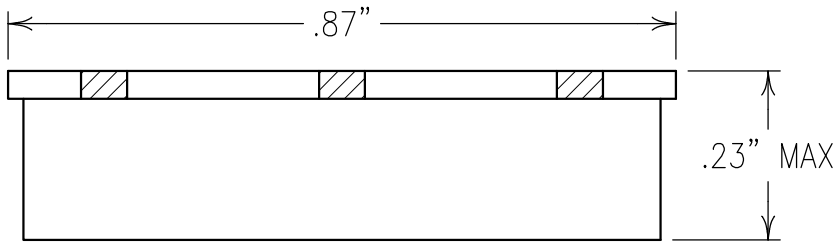


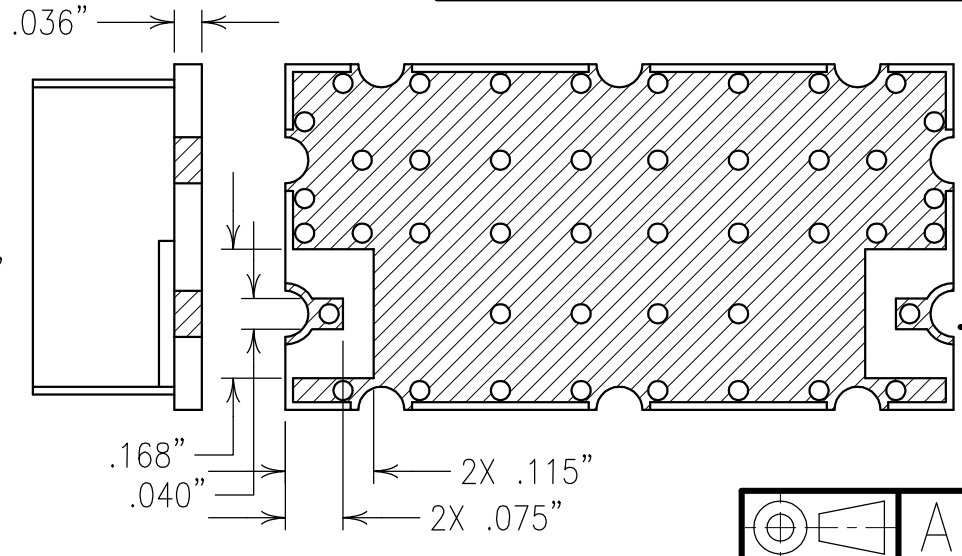
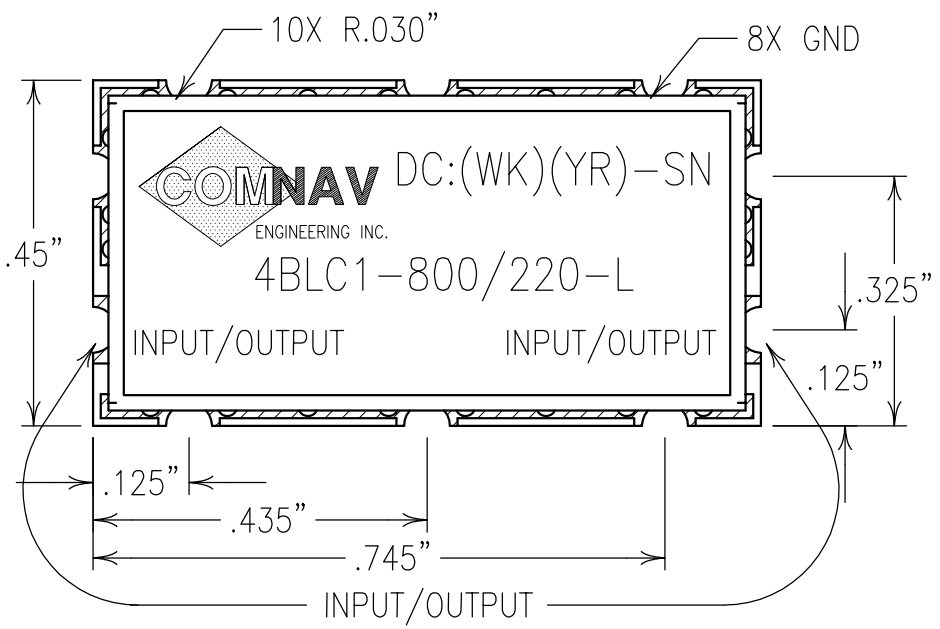
2

1



COPY

| ELECTRICAL CHARACTERISTICS | |
|----------------------------|--------------|
| CENTER FREQUENCY: | 800 MHz |
| PASSBAND: | 800-960 MHz |
| PASSBAND LOSS: | 2.0 dB MAX |
| REJECTION: | |
| 60 dBc @ 600 MHz | |
| 60 dBc @ 1300 MHz | |
| OPERATING TEMP.: | -40 TO +85°C |
| PASSBAND VSWR: | 1.5:1 MAX |
| I/O IMPEDANCE: | 50 OHMS |
| POWER HANDLING: | 1 WATT |



Confidential and Proprietary information of ComNav Engineering Inc. Do Not Duplicate or Use Without Permission. ComNav Engineering Inc. claims Copyright in this document as of the Creation, last revision, and last updated dates. All Rights Reserved.

NOTES:

- RECOMMENDED FOOTPRINT: FP0127.
- RECOMMENDED ATTACHMENT METHOD: SILVER EPOXY OR REFLOW NOT TO EXCEED AS INDICATED BELOW:

| TEMP.(°C) | MAX. TIME(SEC) | |
|-----------|----------------|----------------------------------|
| 215 | 90 | FILTER MAY BE LABELED OR ETCHED. |
| 230 | 60 | FILTER IS ROHS COMPLIANT. |
| 245 | 30 | |
| 260 | 15 | |

| | | | | | |
|--|--|--------------------------------|---------|-----|-------------------------|
| ENGLISH / METRIC ENGLISH | CHECKED BY | | | | |
| TOLERANCES UNLESS OTHERWISE SPECIFIED TO BE 125 / OR BETTER REMOVE ALL BURRS | DRAWN BY PBF | | | | |
| ENGLISH (INCHES) .XX ±.02 .XXX ±.010 ANGLES ± 0° 30' | ENGINEER KJR | II | 18JUN08 | KJR | DEV. INI. ISS. PER 2894 |
| | SCALE 4:1 | REV | DATE | BY | DCN No. REMARKS |
| | DATE 09JUL08 | APPLIC: CERAMIC COAXIAL FILTER | | | |
| | | TITLE: 4BLC1-800/220-L | | | |
| COMNAV ENGINEERING INC. | FINISH: BOARD: NI/GOLD JACKET: NI/SILVER RESONATOR: SILVER | DRAWING No. 0L0895 | | | SHEET OF 1 1 |