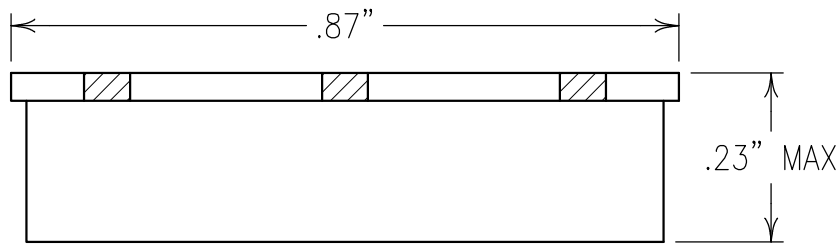


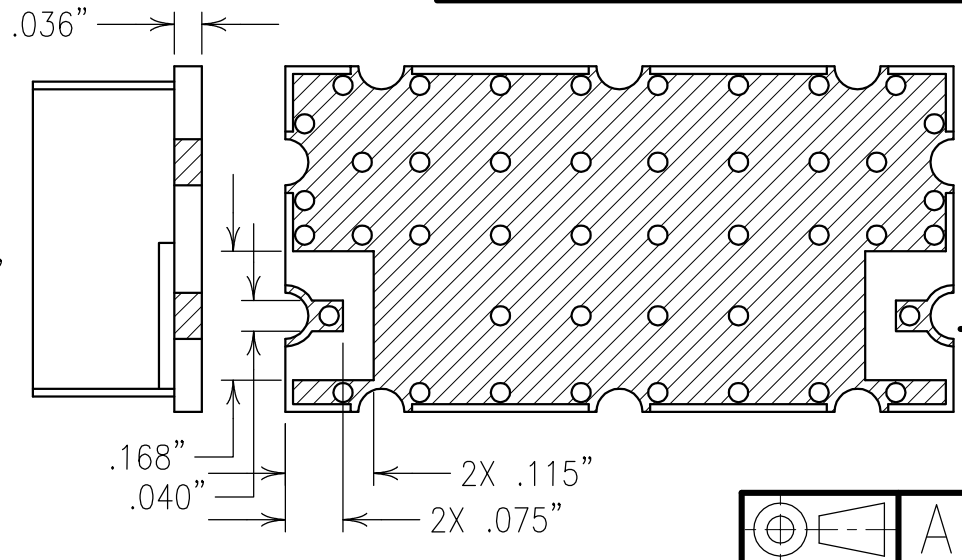
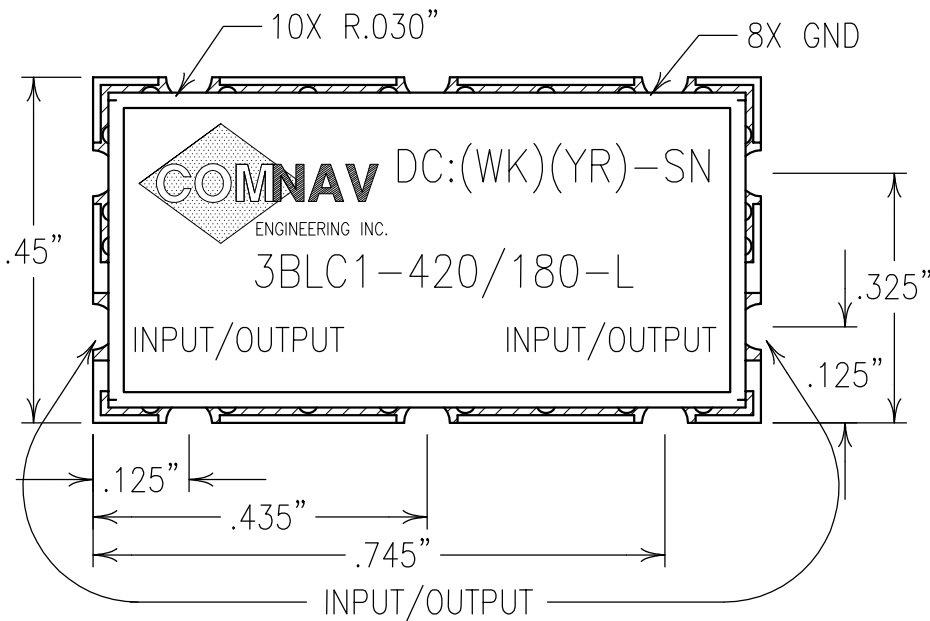
2

1



COPY

ELECTRICAL CHARACTERISTICS	
CENTER FREQUENCY:	420 MHz
PASSBAND:	340-500 MHz
PASSBAND LOSS:	2.0 dB MAX
REJECTION:	
30 dBc @	150 MHz
40 dBc @	1000 MHz
OPERATING TEMP.:	-40 TO +85°C
PASSBAND VSWR:	1.5:1 MAX
I/O IMPEDANCE:	50 OHMS
POWER HANDLING:	1 WATT



Confidential and Proprietary information of ComNav Engineering Inc. Do Not Duplicate or Use Without Permission. ComNav Engineering Inc. claims Copyright in this document as of the Creation, last revision, and last updated dates. All Rights Reserved.

NOTES:

- RECOMMENDED FOOTPRINT: FP0127.
- RECOMMENDED ATTACHMENT METHOD: SILVER EPOXY OR REFLOW NOT TO EXCEED AS INDICATED BELOW:

TEMP.(°C)	MAX. TIME(SEC)	
215	90	FILTER MAY BE LABELED OR ETCHED.
230	60	FILTER IS ROHS COMPLIANT.
245	30	
260	15	

ENGLISH / METRIC		CHECKED BY					
ENGLISH		DRAWN BY					
TOLERANCES UNLESS OTHERWISE SPECIFIED		PBF					
MACHINED SURFACES TO BE 125 / OR BETTER		ENGINEER		II	18JUN08	KJR	DEV. INI. ISS. PER 2894
REMOVE ALL BURRS		KJR		REV	DATE	BY	DCN No. REMARKS
ENGLISH (INCHES)	METRIC (MM)	SCALE		APPLIC: CERAMIC COAXIAL FILTER			
.XX ±.02	.X ±.25	4:1		TITLE: 3BLC1-420/180-L			
.XXX ±.010	.XX ±.13	DATE		09JUL08			
ANGLES ± 0° 30'		FINISH:		BOARD: NI/GOLD		DRAWING No. 0L0893	
				JACKET: NI/SILVER		SHEET OF 1 1	
				RESONATOR: SILVER			

