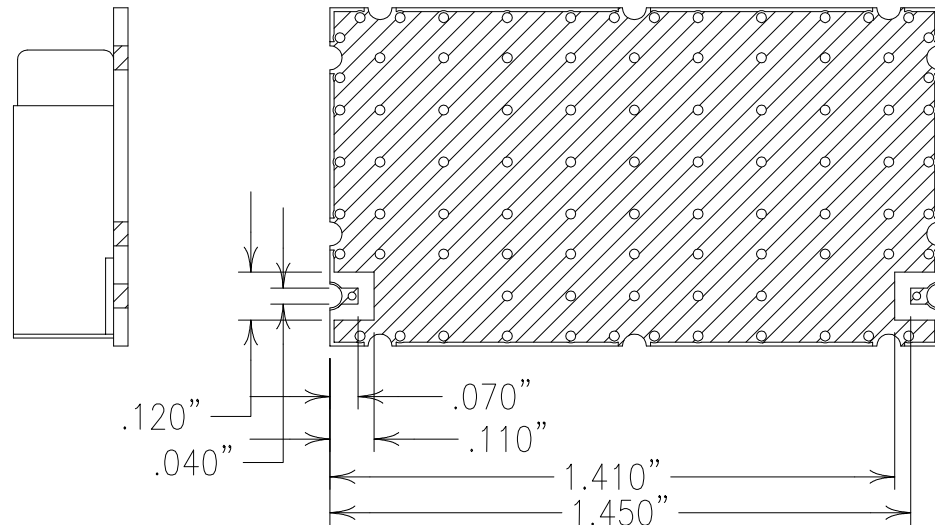


COPY



ELECTRICAL SPECIFICATIONS	
CENTER FREQUENCY:	960 MHz
INSERTION LOSS:	1.5 dB MAX @ FO
PASSBAND FLATNESS	2 dB: 920-1000 MHz
REJECTION:	>37 dB MIN. 40 dB GOAL DC-900 MHz
	>30 dB: 1800-1500 MHz
12 dB RETURN LOSS:	920-924 MHz
15 dB RETURN LOSS:	924-996 MHz
12 dB RETURN LOSS:	996-1000 MHz

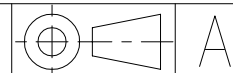
NOTES:

RECOMMENDED ATTACHMENT METHOD: SILVER EPOXY OR REFLOW NOT TO EXCEED AS INDICATED BELOW:

TEMP.(°C)	MAX.TIME(SEC)
215	90
230	60
245	30
260	15

FILTER IS ROHS COMPLIANT.
FILTER MAY BE LABELED OR ETCHED.

Confidential and Proprietary information of ComNav Engineering Inc. Do Not Duplicate or Use Without Permission. ComNav Engineering Inc. claims Copyright in this document as of the Creation, last revision, and last updated dates. All Rights Reserved.



ENGLISH / METRIC	CHECKED BY					
ENGLISH	EEF	A	21NOV08	KJR	DEV.	GEN. REV. PER 2972
TOLERANCES UNLESS OTHERWISE SPECIFIED	ENGINEER	II	27MAY08	KJR	DEV.	INI. ISS. PER 2890
MACHINED SURFACES TO BE 125/ OR BETTER	KJR	REV	DATE	BY	DCN No.	REMARKS
REMOVE ALL BURRS	SCALE	APPLIC: CERAMIC COAXIAL FILTER				
ENGLISH (INCHES)	METRIC (MM)	TITLE: 6BCR6C-960/C100-L				
.XX ±.02	.X ±.5	DATE 21NOV08				
.XXX ±.010	.XX ±.25					
ANGLES ± 0° 30'						

	FINISH: BOARD: NICKEL/GOLD RESONATOR: SILVER JACKET: NICKEL/SILVER	DRAWING No. 0L0889	SHEET OF 1 1
--	--	--------------------	--------------