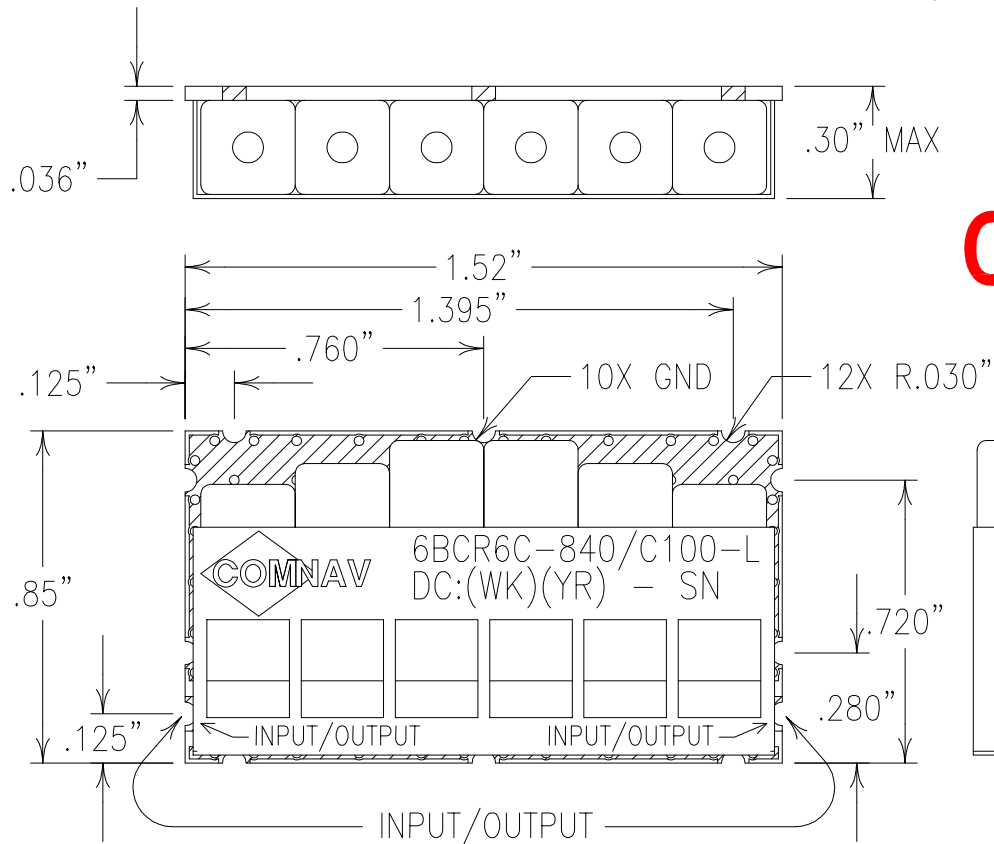


2

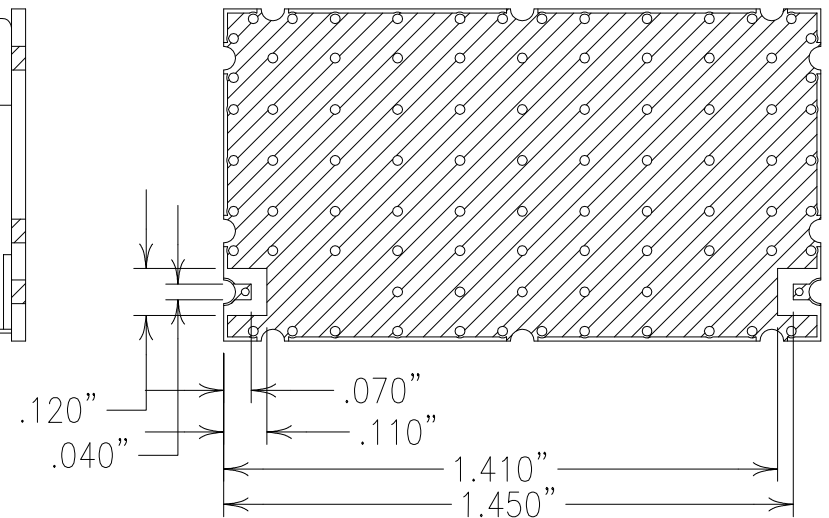
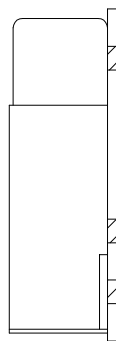
1



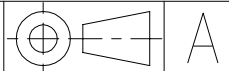
**COPY**

**ELECTRICAL SPECIFICATIONS**

CENTER FREQUENCY:	840 MHz
INSERTION LOSS:	1.5 dB MAX @ F0
PASSBAND FLATNESS	2 dB:
	800-880 MHz
REJECTION:	>37 dB MIN. 40 dB GOAL
	900-1500 MHz
12 dB RETURN LOSS:	800-804 MHz
15 dB RETURN LOSS:	804-876 MHz
12 dB RETURN LOSS:	876-880 MHz



Confidential and Proprietary information of ComNav Engineering Inc. Do Not Duplicate or Use Without Permission. ComNav Engineering Inc. claims Copyright in this document as of the Creation, last revision, and last updated dates. All Rights Reserved.



**NOTES:**

RECOMMENDED ATTACHMENT METHOD: SILVER EPOXY OR REFLOW NOT TO EXCEED AS INDICATED BELOW:

TEMP.(°C)	MAX.TIME(SEC)
215	90
230	60
245	30
260	15

FILTER IS ROHS COMPLIANT.  
FILTER MAY BE LABELED OR ETCHED.

ENGLISH / METRIC	CHECKED BY					
ENGLISH	ENGLISH	A	21NOV08	KJR	DEV.	GEN. REV. A PER 2972
TOLERANCES UNLESS OTHERWISE SPECIFIED	DRAWN BY	II	27MAY08	KJR	DEV.	INI. ISS. PER 2890
MACHINED SURFACES TO BE 125 / OR BETTER	ENGINEER	REV	DATE	BY	DCN No.	REMARKS
REMOVE ALL BURRS	KJR					
ENGLISH (INCHES)	METRIC (MM)	SCALE	APPLIC: CERAMIC COAXIAL FILTER			
.XX ±.02	.X ±.5	2:1	TITLE: 6BCR6C-840/C100-L			
.XXX ±.010	.XX ±.25	DATE				
ANGLES ± 0' 30'		21NOV08				
FINISH: BOARD: NICKEL/GOLD RESONATOR: SILVER JACKET: NICKEL/SILVER		DRAWING No.		SHEET OF		
COMNAV ENGINEERING INC.		0L0888		1 1		