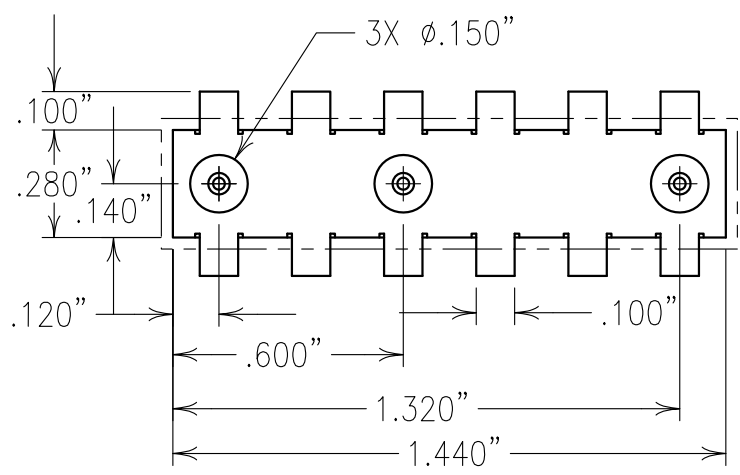
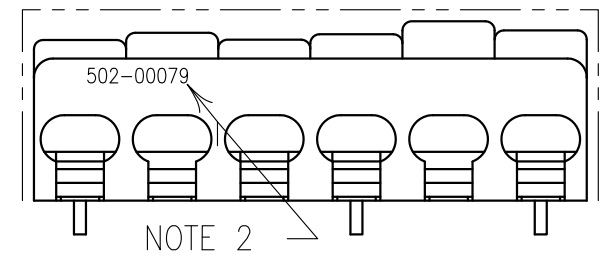
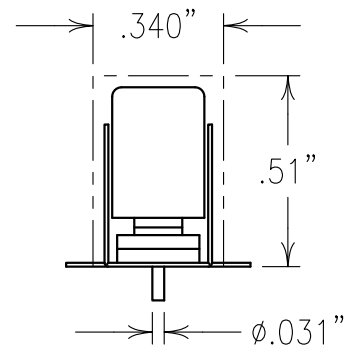
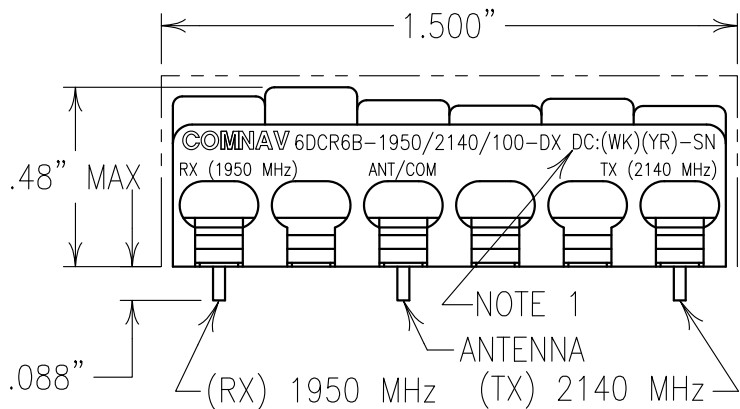


2

1



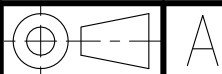
----- 0.030" CLEARANCE ZONE

COPY

ELECTRICAL CHARACTERISTICS		
	RX	TX
CENTER FREQUENCY:	1950 MHz	2140 MHz
PASSBAND:	1920-1980 MHz	2110-2170 MHz
PASSBAND VSWR:	1.7:1	1.7:1
REJECTION:		
25 dB MIN:	2110-2170 MHz	
30 dB MIN.:		1920-1980 MHz
INSERTION LOSS:	<2.0 dB	<1.3 dB
TX INSERTION LOSS AND TX REJECTION APPLY TO THE TX TO ANTENNA PATH.		
RX INSERTION LOSS AND RX REJECTION APPLY TO THE RX TO ANTENNA PATH.		
POWER HANDLING: THE TX TO ANTENNA MUST WITHSTAND 20 WATTS CW OVER THE TEMPERATURE RANGE OF -20 TO +85°C.		
THE ANTENNA TO RX PATH MUST WITHSTAND 0 dBm.		
IMPEDANCE: 50 OHMS AT ALL THREE PORTS.		

NOTES:
 1) DC: IS ON ONE SIDE ONLY.
 2) BOTH SIDES OF PART ARE ETCHED. DRT P/N 502-00079 IS TO BE ETCHED ON OPPOSITE SIDE OF JACKET.
 FILTER IS ROHS COMPLIANT

Confidential and Proprietary information of ComNav Engineering Inc. Do Not Duplicate or Use Without Permission. ComNav Engineering Inc. claims Copyright in this document as of the Creation, last revision, and last updated dates. All Rights Reserved.



ENGLISH / METRIC ENGLISH	CHECKED BY D	12AUG15	TLA	DEV.	GEN. REV. PER 3941
TOLERANCES UNLESS OTHERWISE SPECIFIED	DRAWN BY C	16NOV10	KJR	DEV.	GEN. REV. PER 3286
MACHINED SURFACES TO BE 125 OR BETTER REMOVE ALL BURRS	ENGINEER B	03MAY10	PBF	DEV.	GEN. REV. PER 3205
ENGLISH (INCHES) .XX ±.02 .XXX ±.010	SCALE 2:1	DATE 12AUG15	BY	DCN No.	REMARKS
METRIC (MM) .X ±.25 .XX ±.13	APPLIC: CERAMIC COAXIAL FILTER	TITLE: 6DCR6B-1950/2140/100-DX			
ANGLES ± 0° 30'	FINISH: PINS: TIN PLATED BRASS JACKET: NI/SILVER RESONATOR: SILVER	DRAWING No. 0L0884	SHEET OF 1 1		