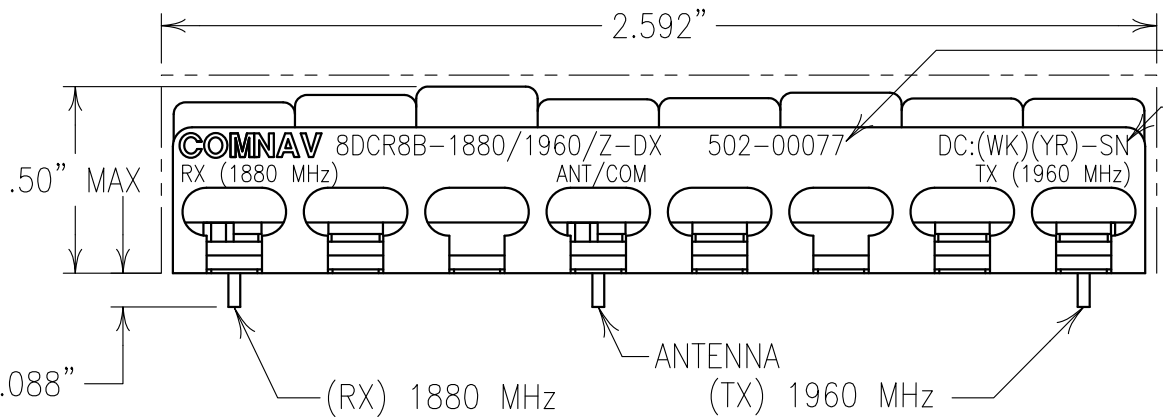
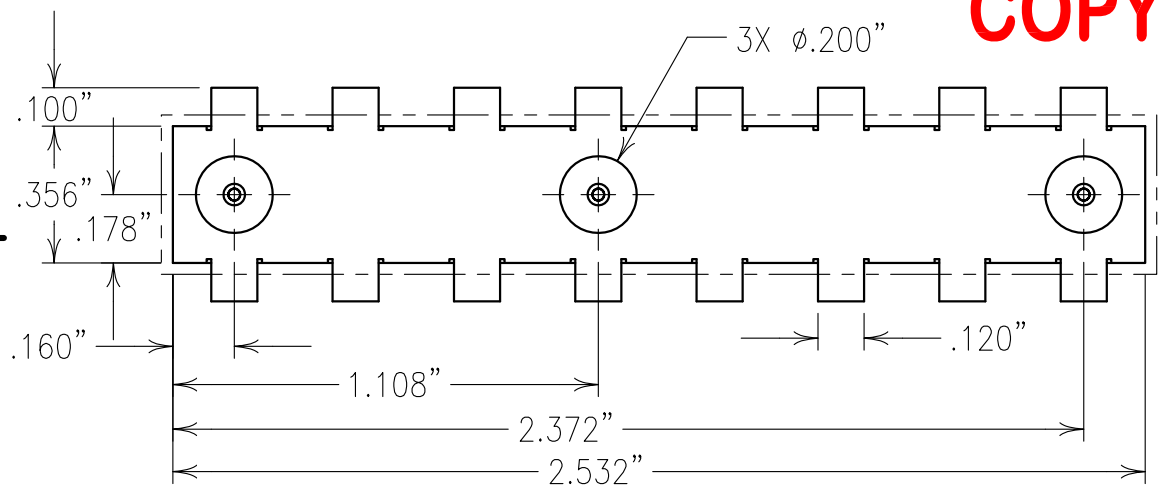
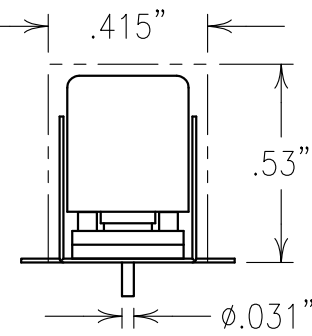


2

1



NOTE 2  
NOTE 1



**COPY**

ELECTRICAL CHARACTERISTICS	
RX	TX
CENTER FREQUENCY: 1880 MHz	1960 MHz
PASSBAND: 1850-1910 MHz	1930-1990 MHz
PASSBAND VSWR: 1.7:1	1.7:1
AT ROOM TEMPERATURE:	
REJECTION: 25 dB MIN: 1930-1990 MHz	
REJECTION: 30 dB MIN.: 1850-1910 MHz	
INSERTION LOSS: <2.5 dB	<2.3 dB, 2.0 dB GOAL
OVER OPERATING TEMPERATURE:	
REJECTION: 23 dB MIN: 1930-1990 MHz	
REJECTION: 28 dB MIN.: 1850-1910 MHz	
INSERTION LOSS: <2.85 dB	<2.85 dB
TX TO ANTENNA PATH.	
RX INSERTION LOSS AND RX REJECTION APPLY TO THE RX TO ANTENNA PATH.	
POWER HANDLING: THE TX TO ANTENNA MUST WITHSTAND 25 WATTS CW OVER THE TEMPERATURE RANGE OF -20 TO +85°C. THE ANTENNA TO RX PATH MUST WITHSTAND 0 dBm.	
IMPEDANCE: 50 OHMS AT ALL THREE PORTS.	

----- 0.030" CLEARANCE ZONE

Confidential and Proprietary information of ComNav Engineering Inc. Do Not Duplicate or Use Without Permission. ComNav Engineering Inc. claims Copyright in this document as of the Creation, last revision, and last updated dates. All Rights Reserved.

- NOTES:
- 1) DC: IS ON ONE SIDE ONLY.
  - 2) DRT P/N 502-00077 IS TO BE ETCHED ON JACKET.
- FILTER IS ROHS COMPLIANT

ENGLISH / METRIC ENGLISH	CHECKED BY	B	16NOV10	KJR	DEV.	GEN. REV. PER 3286
TOLERANCES UNLESS OTHERWISE SPECIFIED	DRAWN BY	A	30JAN09	KJR	DEV.	GEN. REV. PER 3003
MACHINED SURFACES TO BE 125 / OR BETTER REMOVE ALL BURRS	ENGINEER	II	16MAY08	KJR	DEV.	INI. ISS. PER 2884
ENGLISH (INCHES)	SCALE	REV	DATE	BY	DCN No.	REMARKS
.XX ±.02 .XXX ±.010	METRIC (MM)	2:1	APPLIC: CERAMIC COAXIAL FILTER			
ANGLES ± 0° 30'	DATE	20MAR11	TITLE: 8DCR8B-1880/1960/Z-DX			
COMNAV ENGINEERING INC	FINISH:	PINS: TIN PLATED BRASS JACKET: NI/SILVER RESONATOR: SILVER		DRAWING No.		SHEET OF 1 1
				0L0882		