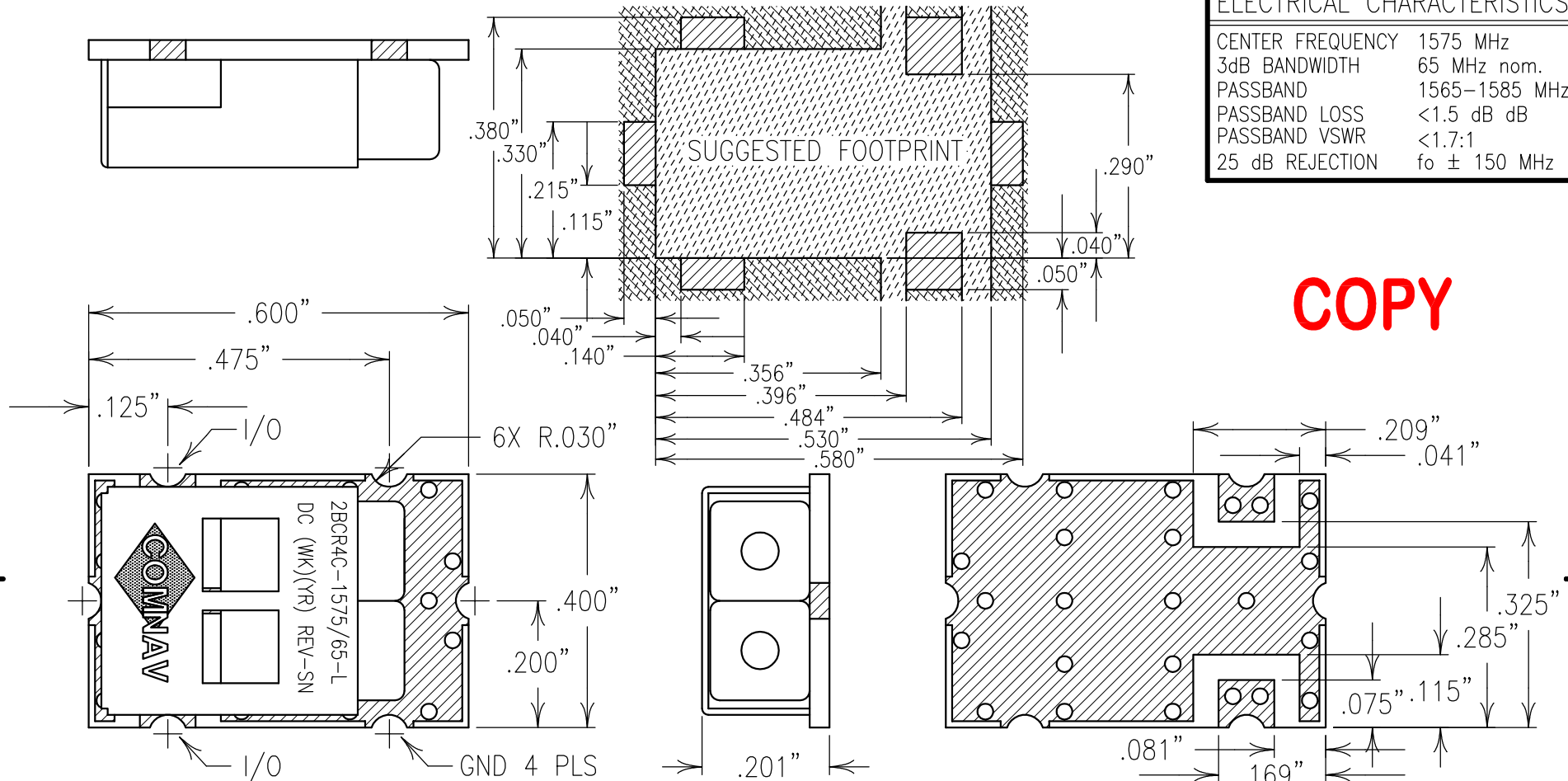


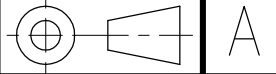
ELECTRICAL CHARACTERISTICS	
CENTER FREQUENCY	1575 MHz
3dB BANDWIDTH	65 MHz nom.
PASSBAND	1565-1585 MHz
PASSBAND LOSS	<1.5 dB dB
PASSBAND VSWR	<1.7:1
25 dB REJECTION	fo ± 150 MHz

COPY



COMNAV
 2BCR4C-1575/65-L
 DC (WK)(YR) REV-SN

Confidential and Proprietary information of ComNav Engineering Inc. Do Not Duplicate or Use Without Permission. ComNav Engineering Inc. claims Copyright in this document as of the Creation, last revision, and last updated dates. All Rights Reserved.



NOTES:
 NO TIN PLATING UNDER SOLDER MASK.
 RECOMMENDED ATTACHMENT METHOD: SILVER EPOXY OR REFLOW NOT TO EXCEED AS INDICATED BELOW:
 TEMP.(°C) MAX.TIME(SEC)

215	90		COPPER-NO TIN PLATING
230	60		TIN PLATED COPPER
245	30		SOLDER MASK
260	15		

ENGLISH / METRIC ENGLISH		CHECKED BY	
TOLERANCES UNLESS OTHERWISE SPECIFIED TO BE 125 OR BETTER REMOVE ALL BURRS		DRAWN BY PBF	
ENGINEER KJR		II	01MAY08
SCALE 4:1		KJR	DEV.
DATE 13MAY08		REV	DATE
APPLIC: COAXIAL FILTER		BY	DCN No.
TITLE: 2BCR4C-1575/65-L		REMARKS	INI. ISS. PER 2881
FINISH: CARRIER BOARD:TIN PLATED COPPER JACKET:NI/SILVER RESONATOR:SILVER		DRAWING No. 0L0876	
SHEET NO/OFF 1/1			

