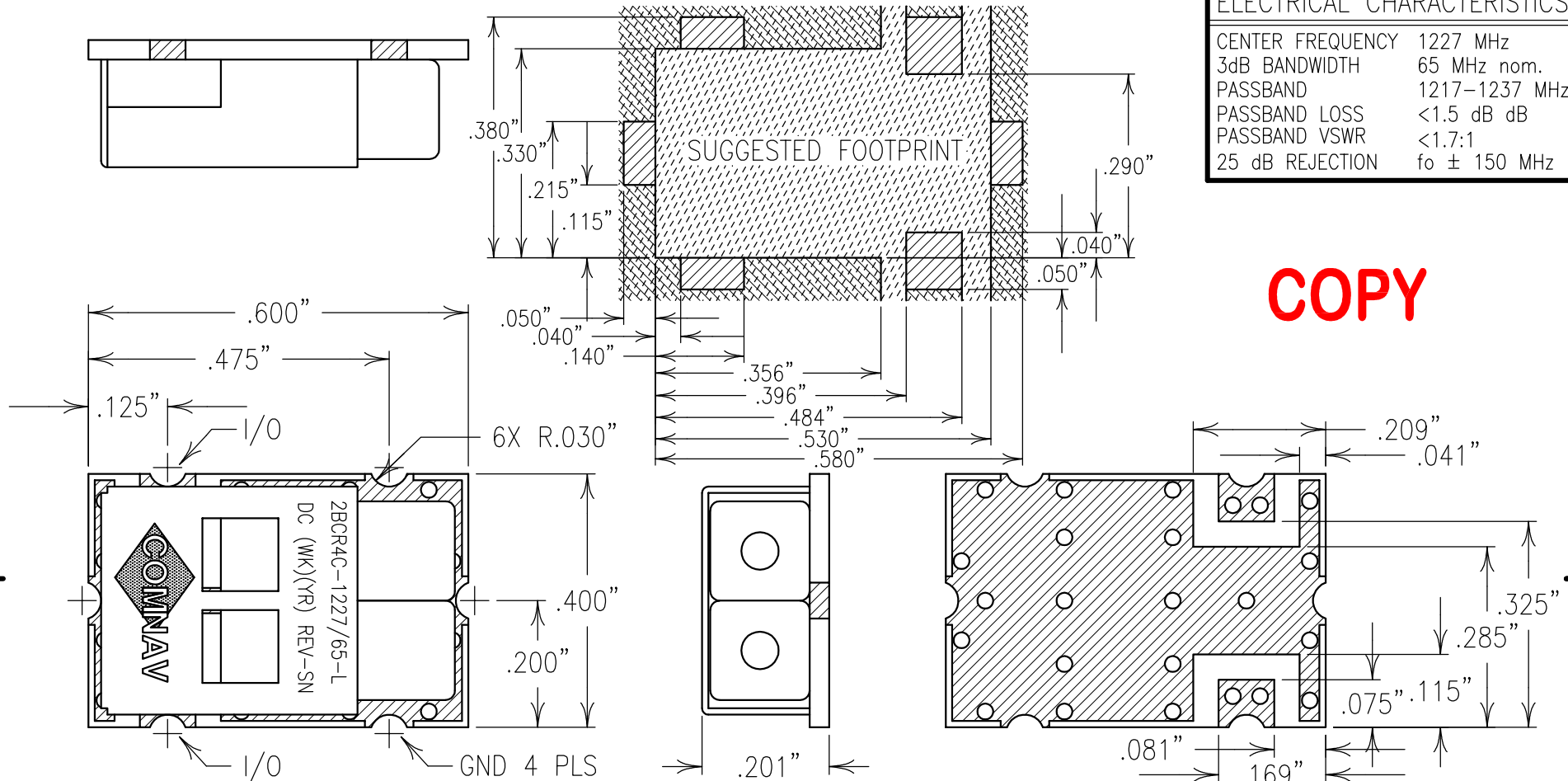


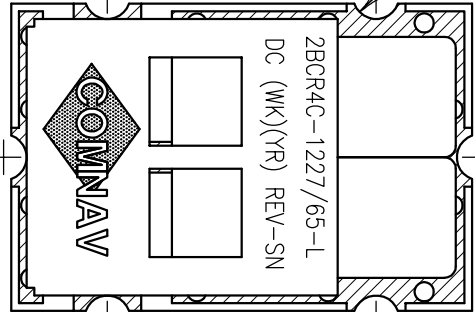
2

1

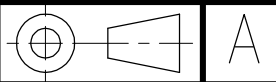
ELECTRICAL CHARACTERISTICS	
CENTER FREQUENCY	1227 MHz
3dB BANDWIDTH	65 MHz nom.
PASSBAND	1217-1237 MHz
PASSBAND LOSS	<1.5 dB dB
PASSBAND VSWR	<1.7:1
25 dB REJECTION	fo ± 150 MHz



COPY



Confidential and Proprietary information of ComNav Engineering Inc. Do Not Duplicate or Use Without Permission. ComNav Engineering Inc. claims Copyright in this document as of the Creation, last revision, and last updated dates. All Rights Reserved.



NOTES:
 NO TIN PLATING UNDER SOLDER MASK.
 RECOMMENDED ATTACHMENT METHOD: SILVER EPOXY OR REFLOW NOT TO EXCEED AS INDICATED BELOW:
 TEMP.(°C) MAX.TIME(SEC)

215	90		COPPER-NO TIN PLATING
230	60		TIN PLATED COPPER
245	30		SOLDER MASK
260	15		

ENGLISH / METRIC ENGLISH		CHECKED BY					
TOLERANCES UNLESS OTHERWISE SPECIFIED TO BE 125 OR BETTER REMOVE ALL BURRS		DRAWN BY PBF					
		ENGINEER KJR		II		01MAY08	
				KJR		DEV.	
				REV		DATE	
				BY		DCN No.	
				REMARKS			
ENGLISH (INCHES) XX ±.02 XXX ±.01		METRIC (MM) .X ±.25 .XX ±.13		SCALE 4:1		APPLIC: COAXIAL FILTER	
ANGLES ± 0° 30'		DATE 13MAY08		TITLE: 2BCR4C-1227/65-L		SHEET NO/OF 1 1	
		FINISH: CARRIER BOARD:TIN PLATED COPPER JACKET:NI/SILVER RESONATOR:SILVER		DRAWING No. 0L0875			