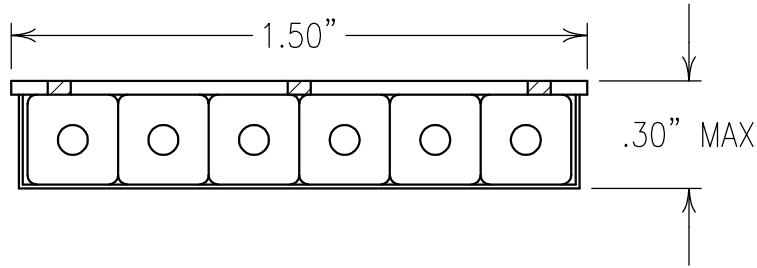


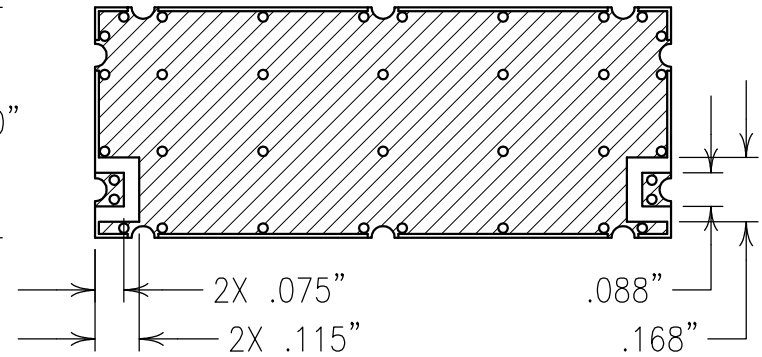
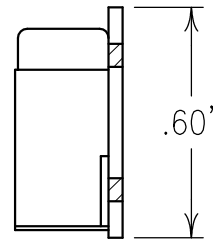
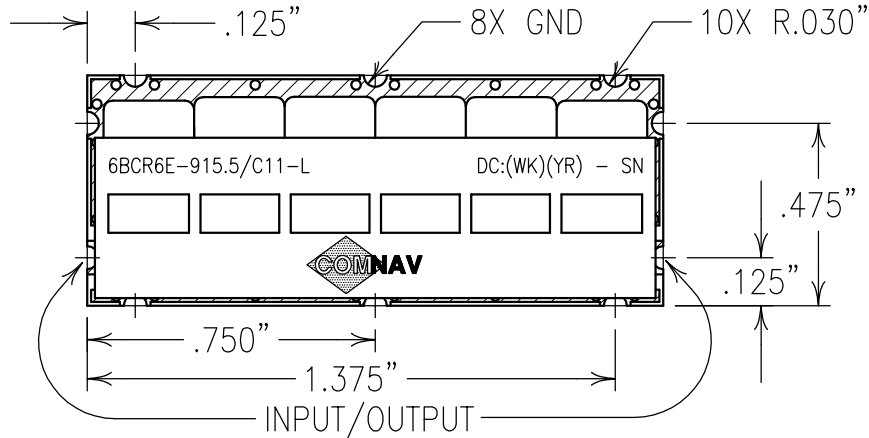
2

1



**COPY**

ELECTRICAL CHARACTERISTICS	
CENTER FREQUENCY:	915.5 MHz
0.5 dB PASSBAND:	912.25–918.75 MHz
PASSBAND INSERTION LOSS:	5.0 dB MAX
VSWR:	1.5:1 TYP
MAX INPUT POWER:	25 dBm
VSWR:	<1.5:1
REJECTION:	
	60 dBc MIN @ 10 TO 30 MHz
	60 dBc MIN @ 806 MHz
	60 dBc MIN @ 849 MHz
	45 dBc MIN @ 894 MHz
	33 dBc MIN @ 901 MHz
	31 dBc MIN @ 932 MHz
	45 dBc MIN @ 940 MHz
	60 dBc MIN @ 1900 MHz
PASSBAND GROUP DELAY:	110 NSEC MAX
PASSBAND DELAY VARIATION:	25 NSEC MAX
OPERATING TEMP.:	-40° TO +85° C

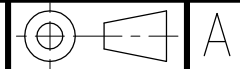


NOTES:  
COMNAV PART NUMBER AND DATE CODE ARE ETCHED ON THE JACKET.

RECOMMENDED ATTACHMENT METHOD: SILVER EPOXY OR REFLOW NOT TO EXCEED AS INDICATED BELOW:  
TEMP.(°C) MAX.TIME(SEC)

215	90
230	60
245	30
260	15

Confidential and Proprietary information of ComNav Engineering Inc. Do Not Duplicate or Use Without Permission. ComNav Engineering Inc. claims Copyright in this document as of the Creation, last revision, and last updated dates. All Rights Reserved.



ENGLISH / METRIC ENGLISH	CHECKED BY				
TOLERANCES UNLESS OTHERWISE SPECIFIED MACHINED SURFACES TO BE 125/ OR BETTER REMOVE ALL BURRS	DRAWN BY PBF				
ENGLISH (INCHES) .XX ±.02 .XXX ±.01	ENGINEER KJR	II	02MAY08	KJR	DEV. INI. ISS. PER 2875
METRIC (MM) .X ±.25 .XX ±.13	REV	DATE	BY	DCN No.	REMARKS
ANGLES ± 0° 30'	SCALE 2:1	APPLIC: CERAMIC COAXIAL FILTER			
	DATE 02MAY08	TITLE: 6BCR6E-915.5/C11-L			
	FINISH: BOARD: NI/GOLD JACKET: NI/SILVER RESONATOR: SILVER	DRAWING No.			SHEET/OF 1/1
		0L0872			