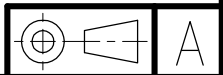
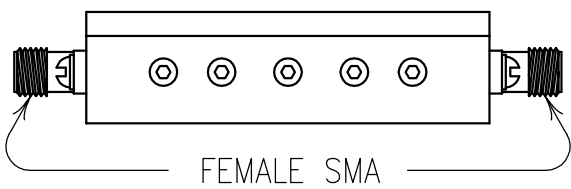
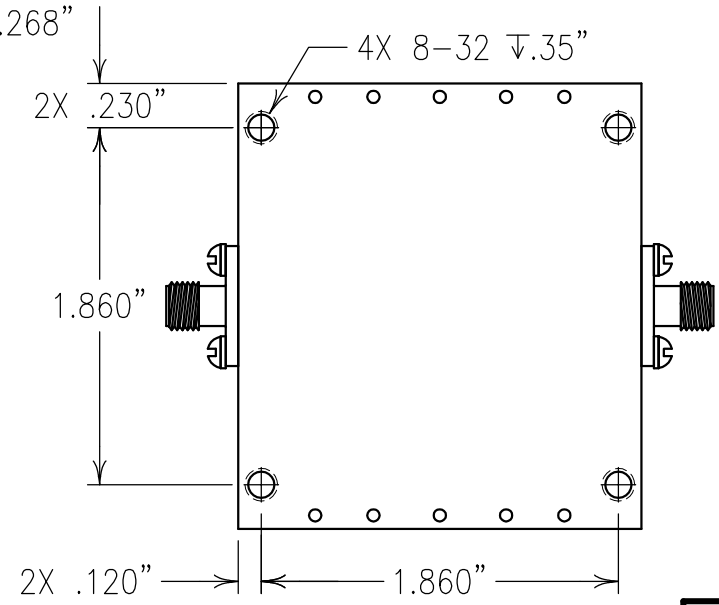
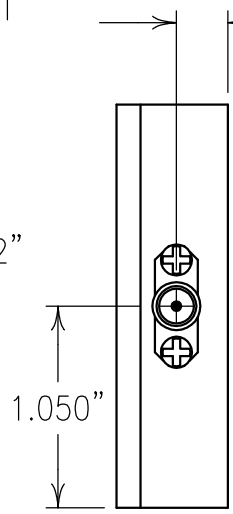
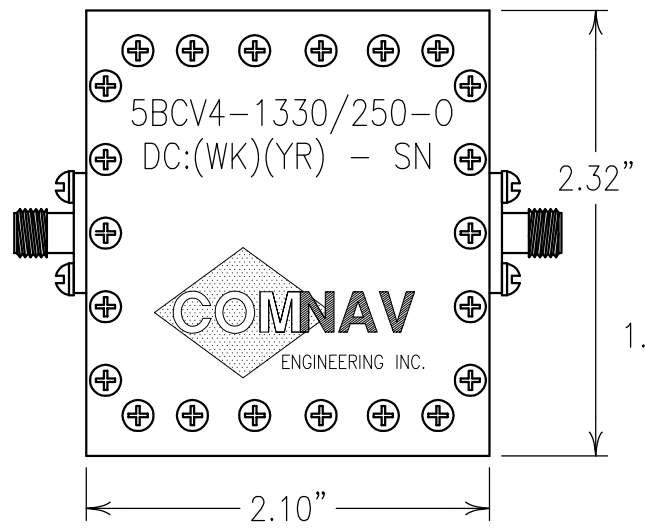
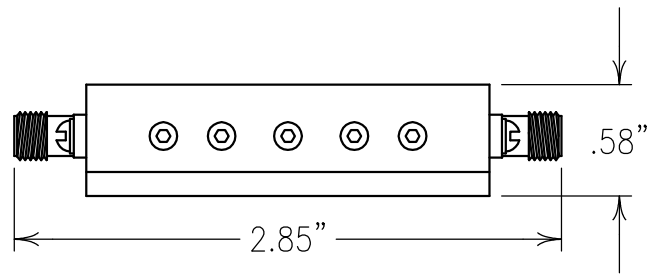


**COPY**

ELECTRICAL CHARACTERISTICS	
CENTER FREQUENCY:	1330 MHz NOM
PASSBAND:	1260-1400 MHz
FLATNESS:	0.2 dB MAX
PASSBAND PHASE LINEARITY:	±2.5 DEGREES MAX
INSERTION LOSS:	1.0 dB MAX @ 1330 MHz
PASSBAND RETURN LOSS:	1.5:1 MAX
REJECTION:	
	50 dBc MIN @ 800-1000 MHz
	50 dBc MIN @ 2300-2450 MHz
POWER HANDLING:	0.5 WATTS



ENGLISH / METRIC ENGLISH	CHECKED BY				
TOLERANCES UNLESS OTHERWISE SPECIFIED	DRAWN BY				
MACHINED SURFACES TO BE 125 OR BETTER	ENGINEER	II	08APR08	KJR	DEV. INI. ISS. PER 2868
REMOVE ALL BURRS	KJR	REV	DATE	BY	DCN No. REMARKS

NOTES:  
 FILTER MAY BE LABELED OR ETCHED.  
 FILTER IS ROHS COMPLIANT.

ENGLISH (INCHES)	METRIC (MM)	SCALE	APPLIC:	SHEET OF
.XX ±.01 .XXX ±.005	.X ±.2 .XX ±.13	1:1	INTERDIGITAL COMB LINE FILTER	
ANGLES ± 0° 30'	DATE	TITLE:		1 1
	02MAY08	5BCV4-1330/250-0		

Confidential and Proprietary information of ComNav Engineering Inc. Do Not Duplicate or Use Without Permission. ComNav Engineering Inc. claims Copyright in this document as of the Creation, last revision, and last updated dates. All Rights Reserved.

<b>COMNAV</b> ENGINEERING INC.	MATERIAL: ALUMINUM	DRAWING No.
	FINISH: SILVER	OL0871