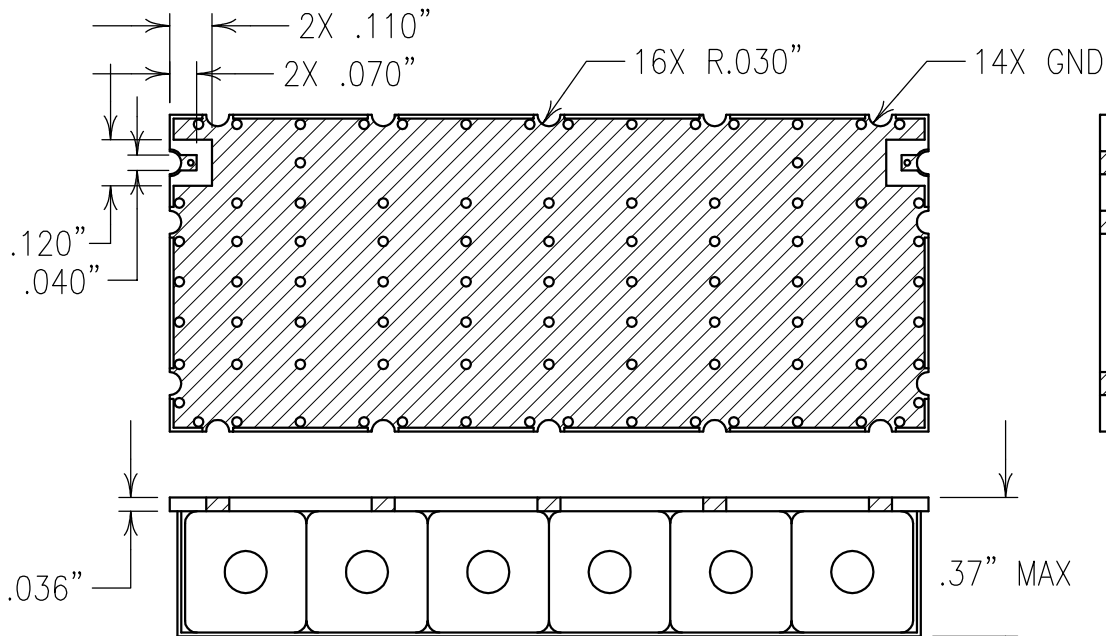


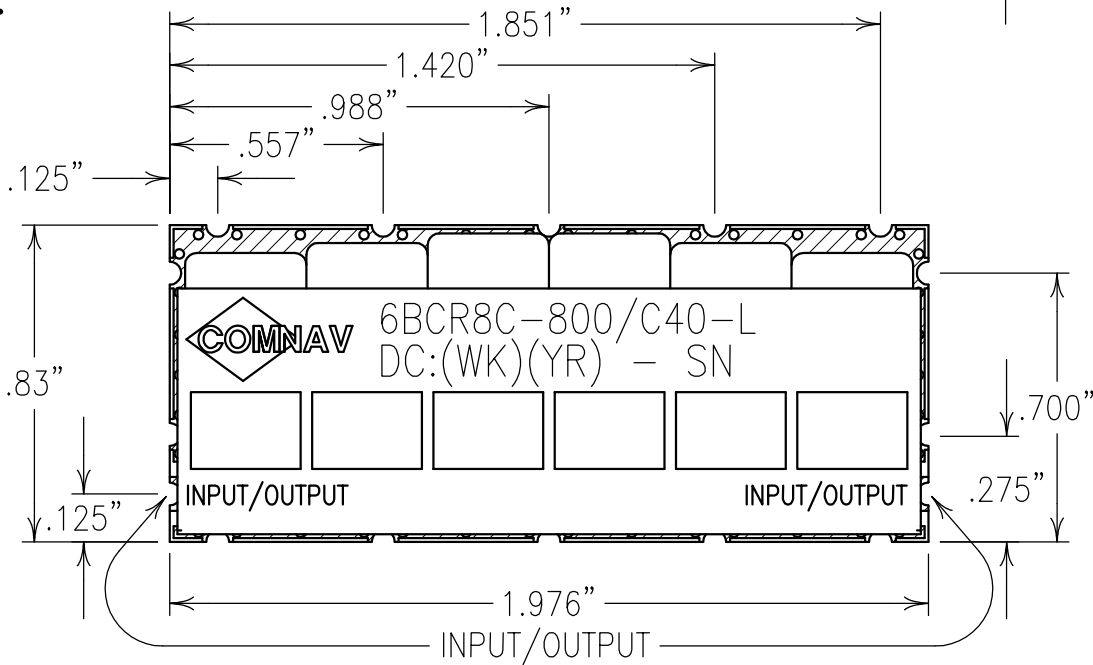
2

1



ELECTRICAL SPECIFICATIONS	
CENTER FREQUENCY:	800 MHz NOM
PASSBAND:	780-820 MHz
PASSBAND LOSS:	1.25 dB
PASSBAND RETURN LOSS:	-15 dB MAX
REJECTION:	
700 MHz:	60 dBc
760 MHz:	27 dBc
840 MHz:	25 dBc
900 MHz:	55 dBc
OPERATING TEMPERATURE:	-40 TO +110°C
IMPEDANCE:	50 OHMS IN/OUT

COPY



NOTES:
 RECOMMENDED ATTACHMENT METHOD: SILVER EPOXY OR REFLOW NOT TO EXCEED AS INDICATED BELOW:
 TEMP.(°C) MAX.TIME(SEC)
 215 90
 230 60
 245 30
 260 15

FILTER IS ROHS COMPLIANT.
 FILTER MAY BE LABELED OR ETCHED.

Confidential and Proprietary information of ComNav Engineering Inc. Do Not Duplicate or Use Without Permission. ComNav Engineering Inc. claims Copyright in this document as of the Creation, last revision, and last updated dates. All Rights Reserved.

ENGLISH / METRIC ENGLISH	CHECKED BY				
TOLERANCES UNLESS OTHERWISE SPECIFIED MACHINED SURFACES TO BE 125/100 OR BETTER REMOVE ALL BURRS	DRAWN BY PBF				
	ENGINEER KJR	II	31MAR08	KJR	DEV. INI. ISS. PER 2857
		REV	DATE	BY	DCN No. REMARKS

ENGLISH (INCHES) .XX ±.02 .XXX ±.010	METRIC (MM) .X ±.5 .XX ±.25	SCALE 2:1	APPLIC: CERAMIC COAXIAL FILTER
ANGLES ± 0° 30'	DATE 03APR08	TITLE: 6BCR8C-800/C40-L	

	FINISH: BOARD: NICKEL/GOLD RESONATOR: SILVER JACKET: NICKEL/SILVER	DRAWING No. 0L0860	SHEET OF 1 1
--	---	-----------------------	-----------------