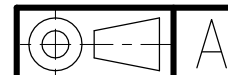
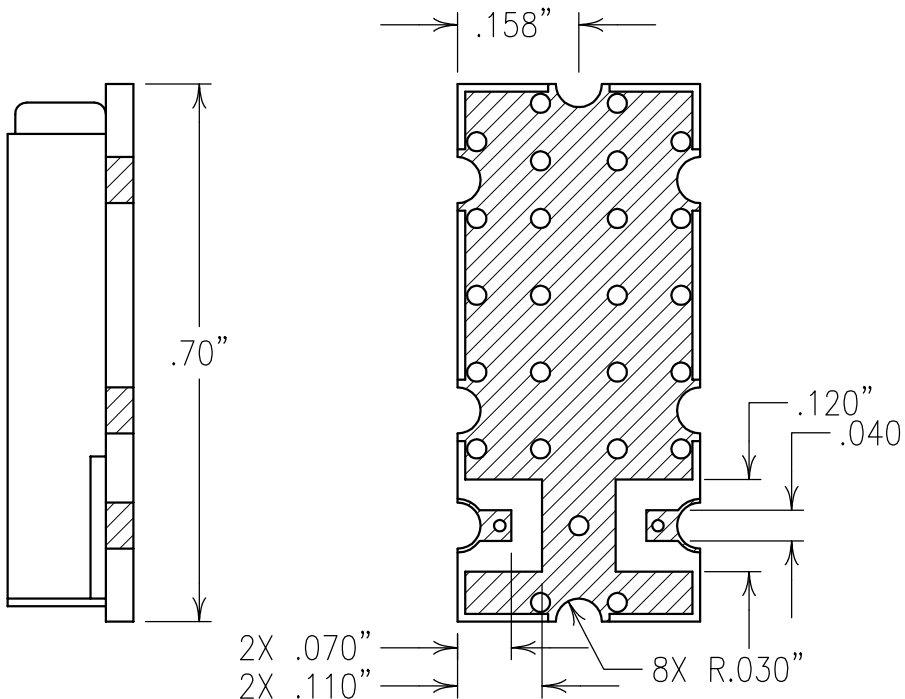
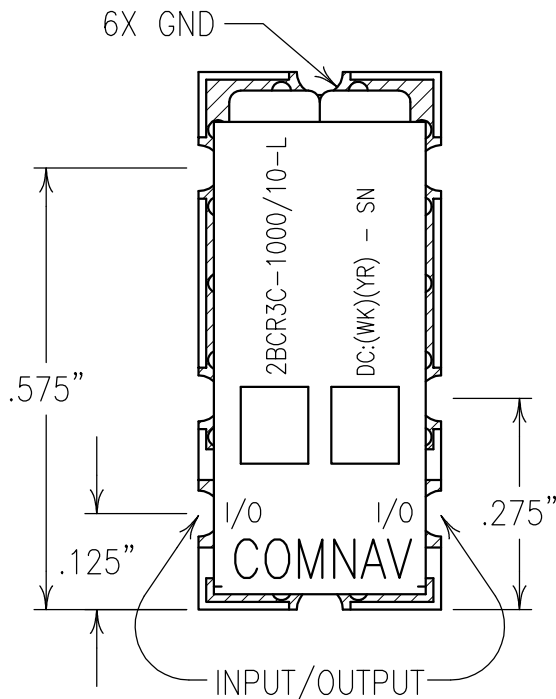
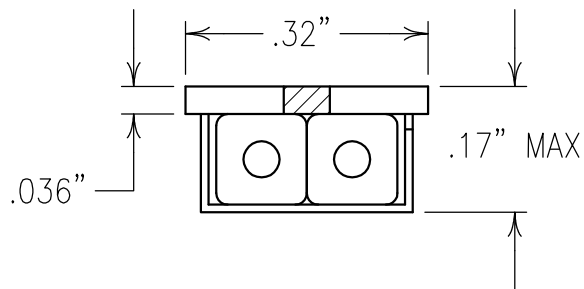


2

1

ELECTRICAL CHARACTERISTICS	
CENTER FREQUENCY:	1000 MHz
3 dB BANDWIDTH:	10 MHz MAX
INSERTION LOSS:	5.0 dB MAX @ FO
VSWR:	2.0:1 TYPICAL
REJECTION:	20 dBc MIN @ 980 AND 1020 MHz
TEMPERATURE RANGE:	-40 TO +80°C

COPY



Confidential and Proprietary information of ComNav Engineering Inc. Do Not Duplicate or Use Without Permission. ComNav Engineering Inc. claims Copyright in this document as of the Creation, last revision, and last updated dates. All Rights Reserved.

NOTES:

RECOMMENDED ATTACHMENT METHOD: SILVER EPOXY OR REFLOW NOT TO EXCEED AS INDICATED BELOW:

TEMP.(°C)	MAX.TIME(SEC)
215	90
230	60
245	30
260	15

FILTER IS ROHS COMPLIANT.
FILTER MAY BE ETCHED OR LABELED.

ENGLISH / METRIC ENGLISH	CHECKED BY				
TOLERANCES UNLESS OTHERWISE SPECIFIED	DRAWN BY				
MACHINED SURFACES TO BE 125 / OR BETTER	PBF	II	31MAR08	KJR	DEV.
REMOVE ALL BURRS	ENGINEER	REV	DATE	BY	DCN No.
ENGLISH (INCHES)	KJR				REMARKS
METRIC (MM)					
.XX ±.02	SCALE	APPLIC: CERAMIC COAXIAL FILTER			
.XXX ±.010	4:1	TITLE: 2BCR3C-1000/10-L			
ANGLES ± 0° 30'	DATE	DRAWING No.			
	03APR08	0L0859			
	FINISH:	SHEET OF			
	BOARD: NICKEL/GOLD PLATED COPPER	1 1			
	JACKET: NICKEL/SILVER				
	RESONATOR: SILVER				