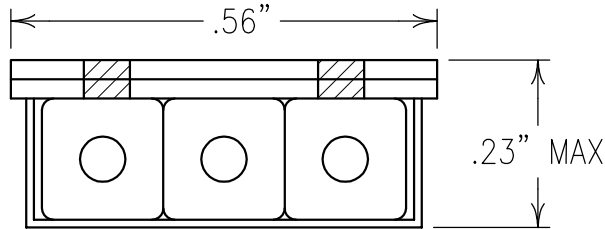


2

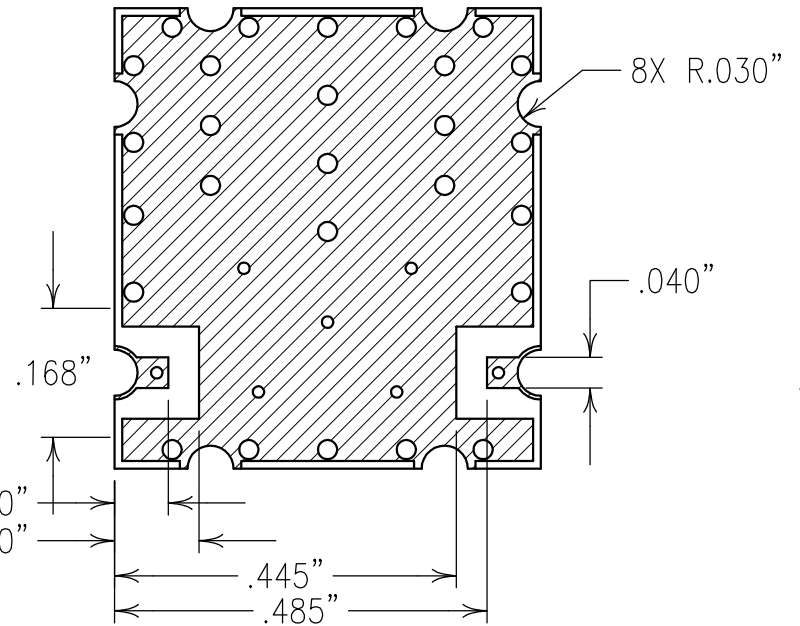
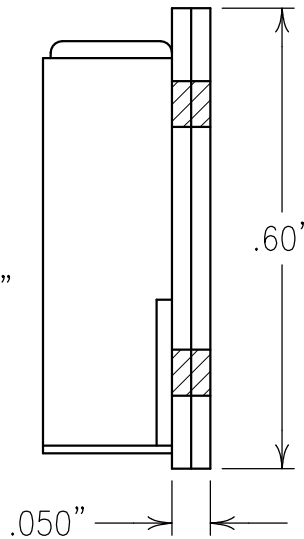
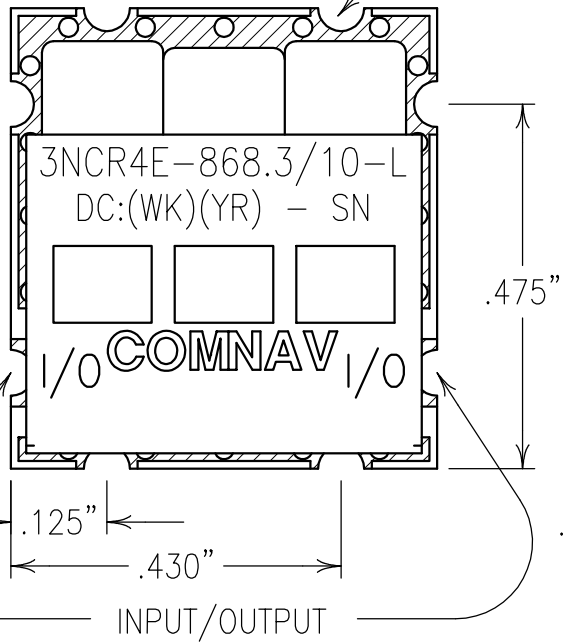
1



COPY

ELECTRICAL CHARACTERISTICS	
CENTER FREQUENCY:	868.3 MHz
PASSBANDS:	880-960, 1710-1880 MHz
PASSBAND LOSS:	2.0 dB MAX
RETURN LOSS:	2.0:1 TYPICAL
REJECTION:	
20 dBc:	868.125-868.475 MHz MIN
20 dBc:	867.925-868.675 MHz NOM
OPERATING TEMP.:	-40 TO +65°C
POWER HANDLING:	2 WATTS (+33 dBm)

6X GND



Confidential and Proprietary information of ComNav Engineering Inc. Do Not Duplicate or Use Without Permission. ComNav Engineering Inc. claims Copyright in this document as of the Creation, last revision, and last updated dates. All Rights Reserved.

NOTES:

RECOMMENDED ATTACHMENT METHOD: SILVER EPOXY OR REFLOW NOT TO EXCEED AS INDICATED BELOW:

TEMP.(°C) MAX.	TIME(SEC)
215	90
230	60
245	30
260	15

FILTER MAY BE LABELED OR ETCHED.
FILTER IS ROHS COMPLIANT.

ENGLISH / METRIC ENGLISH	CHECKED BY					
TOLERANCES UNLESS OTHERWISE SPECIFIED	DRAWN BY	A	20MAR08	KJR	DEV.	GEN. REV. PER 2845
MACHINED SURFACES TO BE 125 / OR BETTER	ENGINEER	II	07MAR08	KJR	DEV.	INI. ISS. PER 2840
REMOVE ALL BURRS	KJR	REV	DATE	BY	DCN No.	REMARKS
ENGLISH (INCHES)	METRIC (MM)	SCALE	APPLIC: CERAMIC COAXIAL FILTER			
.XX ±.02	.X ±.25	DATE	TITLE: 3NCR4E-868.3/10-L			
.XXX ±.010	.XX ±.13	20MAR08				
ANGLES ± 0° 30'	FINISH:		BOARD: NI/GOLD		DRAWING No.	
	COMNAV ENGINEERING INC		JACKET: NI/SILVER		010848	
			RESONATOR: SILVER		SHEET OF 1 1	