

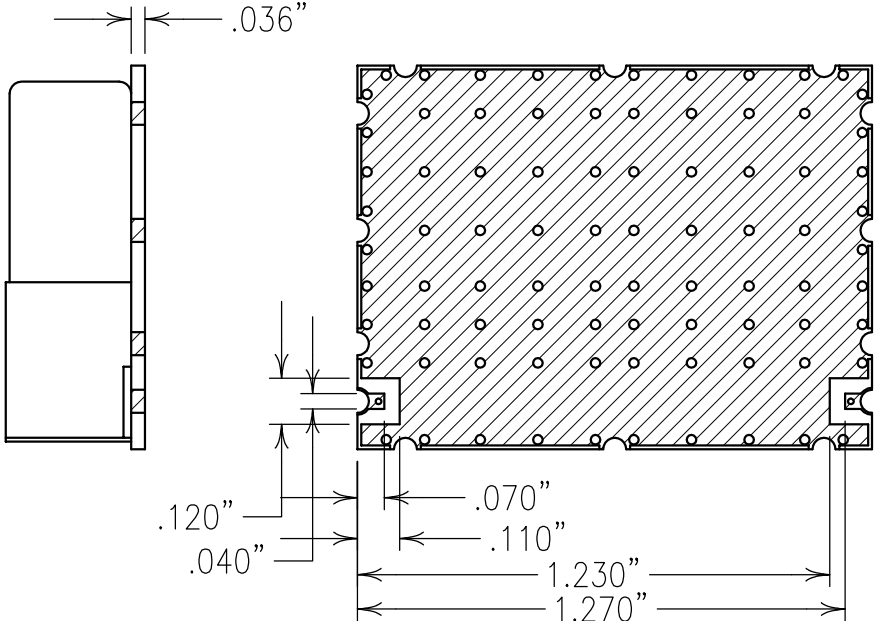
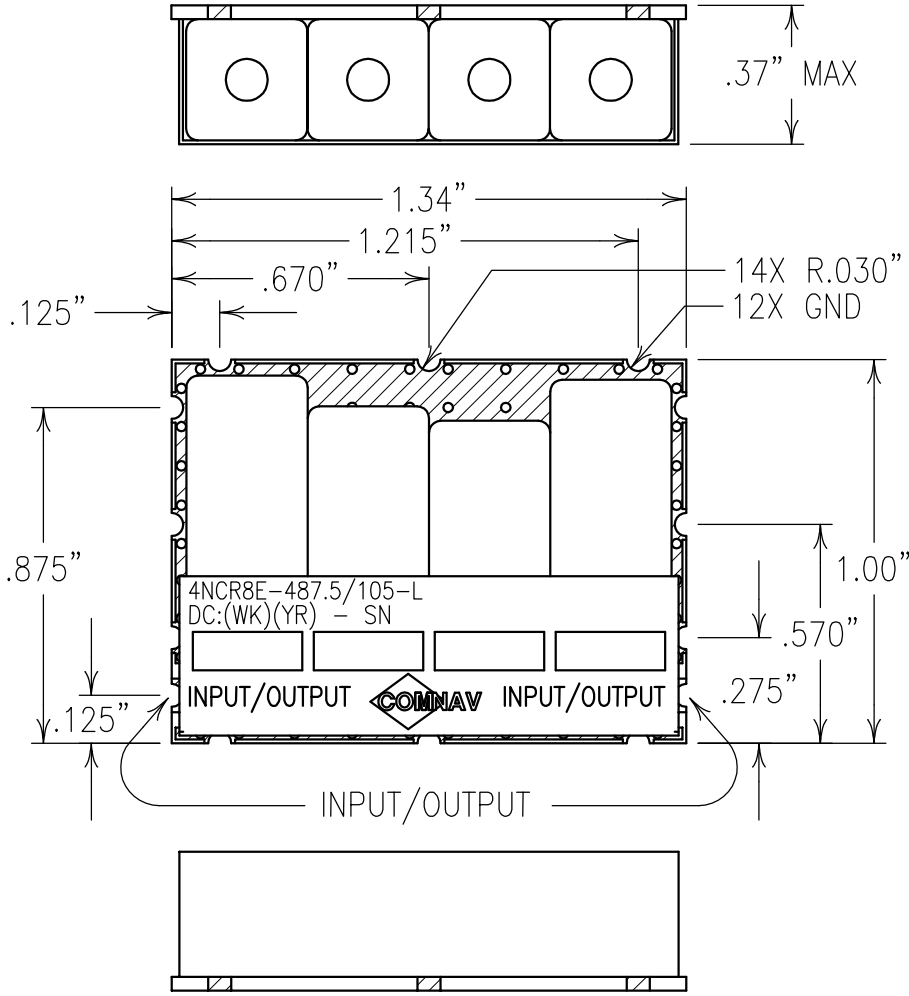
2

1

COPY

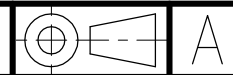
ELECTRICAL SPECIFICATIONS

CENTER FREQUENCY:	487.5 MHz
PASSBAND:	550-1050 MHz
PASSBAND LOSS:	0.75 dB MAX/0.5 dB GOAL
PASSBAND RETURN LOSS:	12 dB MAX
REJECTION:	
13 dBc MIN:	445-530 MHz
IMPEDANCE:	50 OHMS IN/OUT
INCIDENT RF POWER:	+20 dBm
OPERATING TEMPERATURE:	-25 TO +125°C
STORAGE TEMPERATURE:	-55 TO +125°C



4NCR8E-487.5/105-L
 DC:(WK)(YR) - SN
 INPUT/OUTPUT **COMNAV** INPUT/OUTPUT

Confidential and Proprietary information of ComNav Engineering Inc. Do Not Duplicate or Use Without Permission. ComNav Engineering Inc. claims Copyright in this document as of the Creation, last revision, and last updated dates. All Rights Reserved.



NOTES:

RECOMMENDED ATTACHMENT METHOD: SILVER EPOXY
 OR REFLOW NOT TO EXCEED AS INDICATED BELOW:

TEMP.(°C)	MAX.TIME(SEC)
215	90
230	60
245	30
260	15

FILTER IS ROHS COMPLIANT.
 FILTER MAY BE LABELED OR ETCHED.

ENGLISH / METRIC ENGLISH	CHECKED BY				
TOLERANCES UNLESS OTHERWISE SPECIFIED	DRAWN BY				
MACHINED SURFACES TO BE 125 / OR BETTER	ENGINEER	II	04MAR08	KJR	DEV. INI. ISS. PER 2838
REMOVE ALL BURRS	REVISIONS	REV	DATE	BY	DCN No. REMARKS
ENGLISH (INCHES)	METRIC (MM)	SCALE	APPLIC: CERAMIC COAXIAL FILTER		
.XX ±.02	.X ±.5	DATE	TITLE: 4NCR8E-487.5/105-L		
.XXX ±.010	.XX ±.25	07MAR08			
ANGLES ± 0° 30'	FINISH:		DRAWING No.		
	BOARD: NICKEL/GOLD		010845		
	RESONATOR: SILVER		SHEET OF 1 1		
	JACKET: NICKEL/SILVER				