

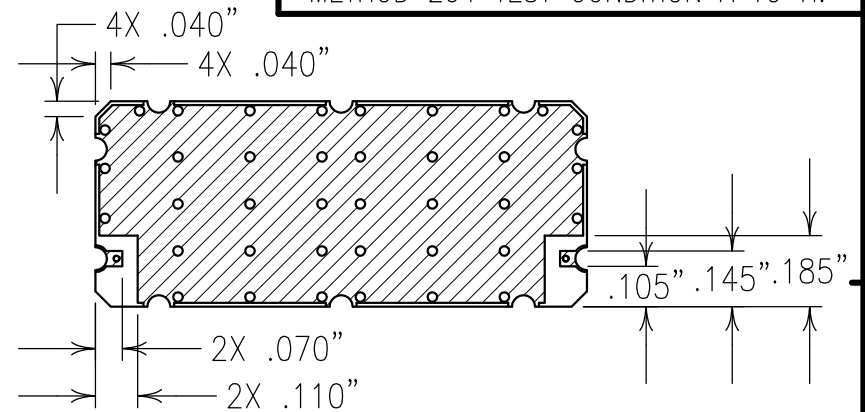
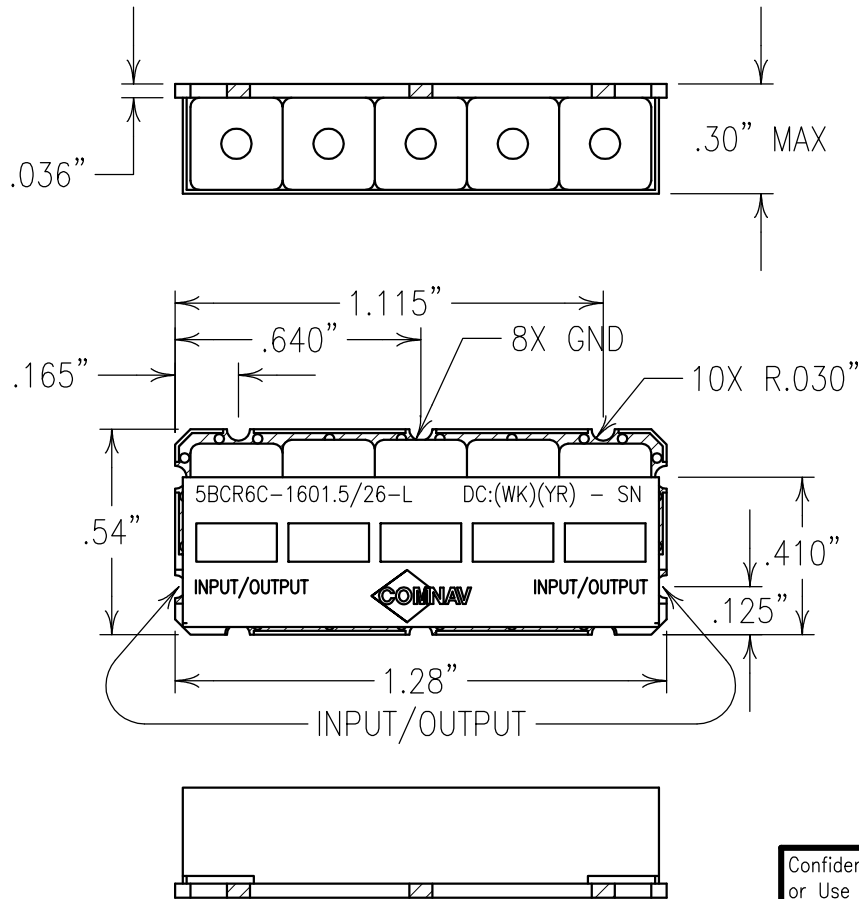
2

1

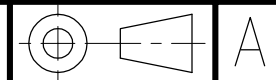
ELECTRICAL CHARACTERISTICS

CENTER FREQUENCY: 1601.5 MHz
 PASSBAND: 1593-1610 MHz
 INSERTION LOSS: <4.0 dB
 PASSBAND FLATNESS: <1.0 dB
 VSWR: 1.5:1 TYP
 REJECTION:
 23.5 dBc MIN @ 1581 AND 1623 MHz
 42.5 dBc MIN @ 1558 AND 1645 MHz
 40 dBc MIN @ 1000-1530 MHz
 40 dBc MIN @ 1645-2000 MHz
 DESIGN TO MEET VIBRATION MIL-STD-202
 METHOD 204 TEST CONDITION A TO H.

COPY



Confidential and Proprietary information of ComNav Engineering Inc. Do Not Duplicate or Use Without Permission. ComNav Engineering Inc. claims Copyright in this document as of the Creation, last revision, and last updated dates. All Rights Reserved.



NOTES:

RECOMMENDED ATTACHMENT METHOD: SILVER EPOXY
 OR REFLOW NOT TO EXCEED AS INDICATED BELOW:
 TEMP.(°C) MAX.TIME(SEC)

215	90
230	60
245	30
260	15

FILTER IS ROHS COMPLIANT.
 FILTER MAY BE LABELED OR ETCHED.

ENGLISH / METRIC ENGLISH	CHECKED BY				
TOLERANCES UNLESS OTHERWISE SPECIFIED MACHINED SURFACES TO BE 125/ OR BETTER REMOVE ALL BURRS	DRAWN BY PBF				
ENGLISH (INCHES) .XX ±.02 .XXX ±.01	ENGINEER KJR	REV II	DATE 15FEB08	BY KJR	DCN No. DEV.
METRIC (MM) .X ±.25 .XX ±.13	SCALE 2:1	APPLIC: CERAMIC COAXIAL FILTER			
ANGLES ± 0° 30'	DATE 22FEB08	TITLE: 5BCR6C-1601.5/26-L			
	FINISH: BOARD: NI/AU JACKET: NI/SILVER RESONATOR: SILVER	DRAWING No. 0L0842			SHEET/OF 1/1

B

A