

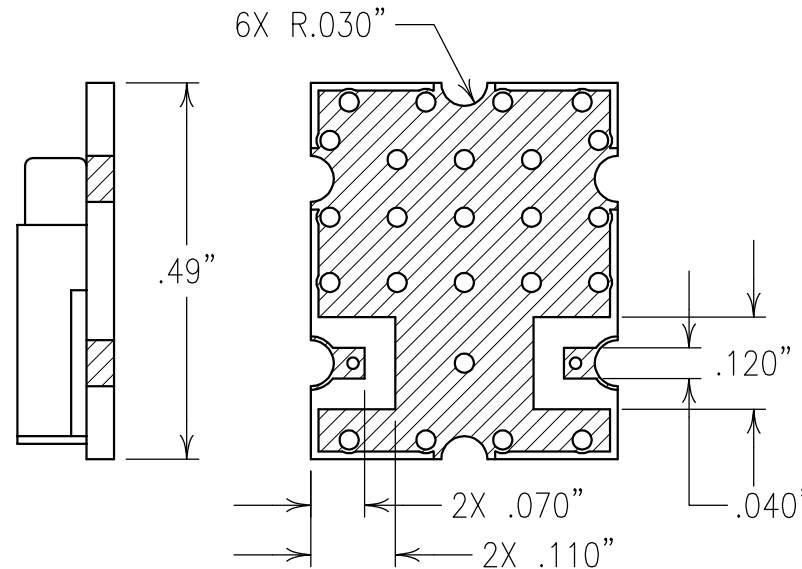
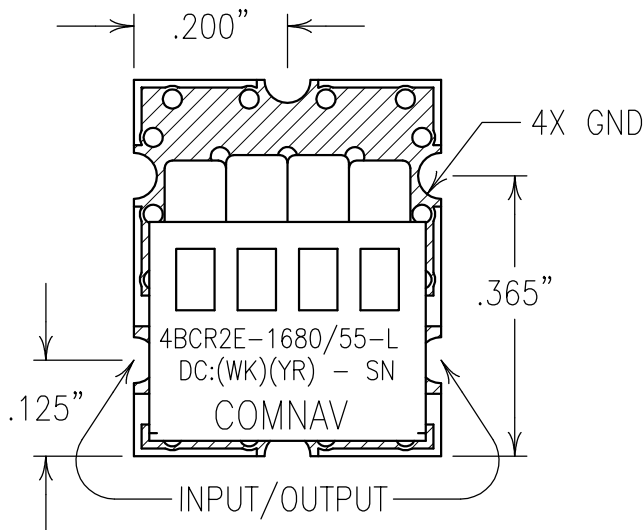
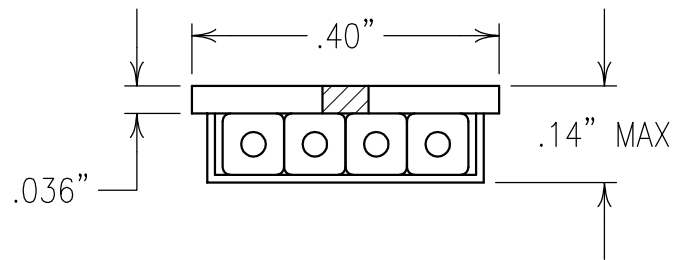
2

1

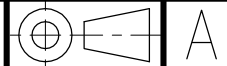
ELECTRICAL CHARACTERISTICS

CENTER FREQUENCY: 1680 MHz
 3 dB BANDWIDTH: 35 MHz MIN
 INSERTION LOSS: 4.0 dB MAX @ FO
 VSWR: 1.5:1 TYPICAL
 REJECTION:
 45 dBc MIN @ 1560 AND 1800 MHz
 60 dBc MIN @ 1440 AND 1920 MHz

COPY



Confidential and Proprietary information of ComNav Engineering Inc. Do Not Duplicate or Use Without Permission. ComNav Engineering Inc. claims Copyright in this document as of the Creation, last revision, and last updated dates. All Rights Reserved.



NOTES:

RECOMMENDED ATTACHMENT METHOD: SILVER EPOXY OR REFLOW NOT TO EXCEED AS INDICATED BELOW:
 TEMP.(°C) MAX. TIME(SEC)

| | |
|-----|----|
| 215 | 90 |
| 230 | 60 |
| 245 | 30 |
| 260 | 15 |

FILTER MAY BE LABELED OR ETCHED.
 FILTER IS ROHS COMPLIANT.

| | | | | | |
|--|---------------------|-------------|--------------------------------|-------------------------|-------------------------|
| ENGLISH / METRIC ENGLISH | CHECKED BY | | | | |
| TOLERANCES UNLESS OTHERWISE SPECIFIED | DRAWN BY | | | | |
| MACHINED SURFACES TO BE 125 OR BETTER REMOVE ALL BURRS | ENGINEER | II | 06FEB08 | KJR | DEV. INI. ISS. PER 2829 |
| ENGLISH (INCHES) | METRIC (MM) | SCALE | APPLIC: CERAMIC COAXIAL FILTER | | |
| .XX ±.02 .XXX ±.010 | .X ±.25 .XX ±.13 | 4:1 | DATE | TITLE: 4BCR2E-1680/55-L | |
| ANGLES ± 0° 30' | | 15FEB08 | DRAWING No. 0L0832 | | |
| FINISH: BOARD: NI/GOLD JACKET: NI/SILVER RESONATOR: SILVER | | DRAWING No. | | SHEET OF 1 1 | |



B

A