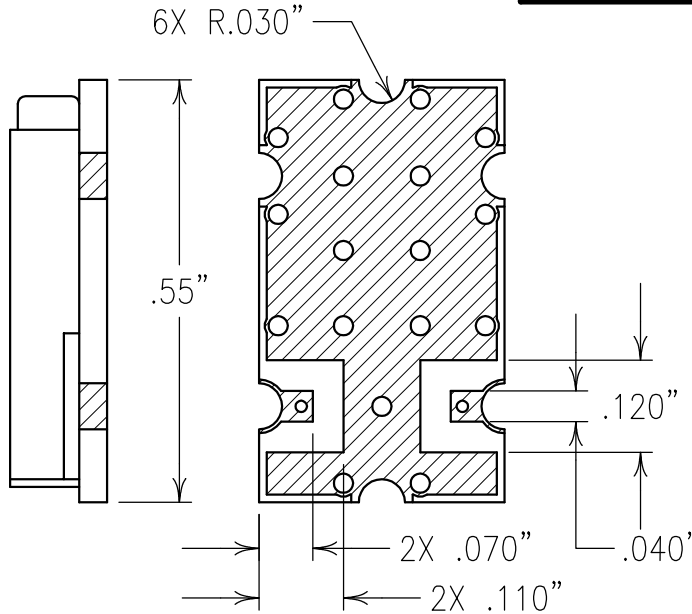
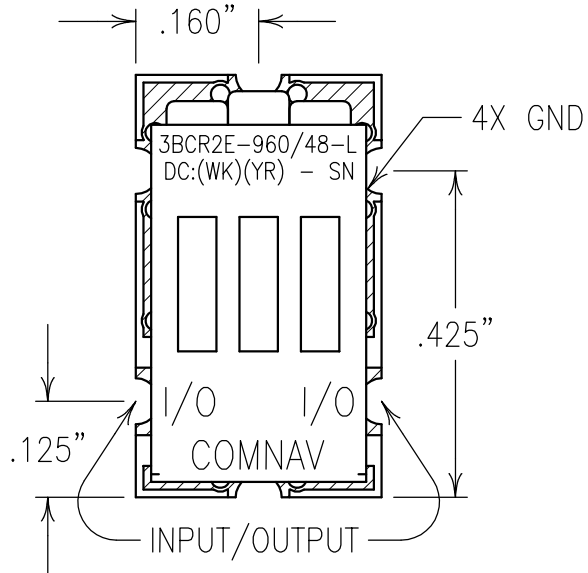
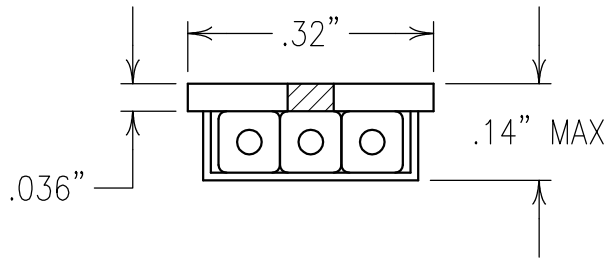


2

1



ELECTRICAL CHARACTERISTICS

CENTER FREQUENCY: 960 MHz
 3 dB BANDWIDTH: 45 MHz MIN
 INSERTION LOSS: 2.5 dB MAX @ FO
 VSWR: 1.5:1 TYPICAL
 REJECTION: 40 dBc MIN @ 840 AND 1080 MHz

COPY

NOTES:

RECOMMENDED ATTACHMENT METHOD: SILVER EPOXY
 OR REFLOW NOT TO EXCEED AS INDICATED BELOW:
 TEMP.(°C) MAX. TIME(SEC)

215	90
230	60
245	30
260	15

FILTER MAY BE LABELED OR ETCHED.
 FILTER IS ROHS COMPLIANT.

Confidential and Proprietary information of ComNav Engineering Inc. Do Not Duplicate or Use Without Permission. ComNav Engineering Inc. claims Copyright in this document as of the Creation, last revision, and last updated dates. All Rights Reserved.

ENGLISH / METRIC ENGLISH	CHECKED BY				
TOLERANCES UNLESS OTHERWISE SPECIFIED MACHINED SURFACES TO BE 125 OR BETTER REMOVE ALL BURRS	DRAWN BY PBF				
	ENGINEER KJR	II	06FEB08	KJR	DEV. INI. ISS. PER 2829
		REV	DATE	BY	DCN No. REMARKS
ENGLISH (INCHES) .XX ±.02 .XXX ±.010	METRIC (MM) .X ±.25 .XX ±.13	SCALE 4:1	APPLIC: CERAMIC COAXIAL FILTER		
ANGLES ± 0° 30'	DATE 15FEB08	TITLE: 3BCR2E-960/48-L			
	FINISH: BOARD: NI/GOLD JACKET: NI/SILVER RESONATOR: SILVER	DRAWING No. 0L0830		SHEET OF 1 1	