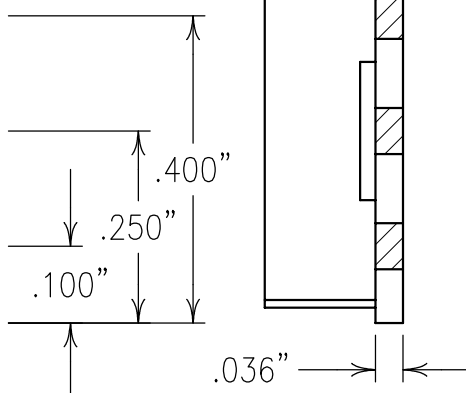
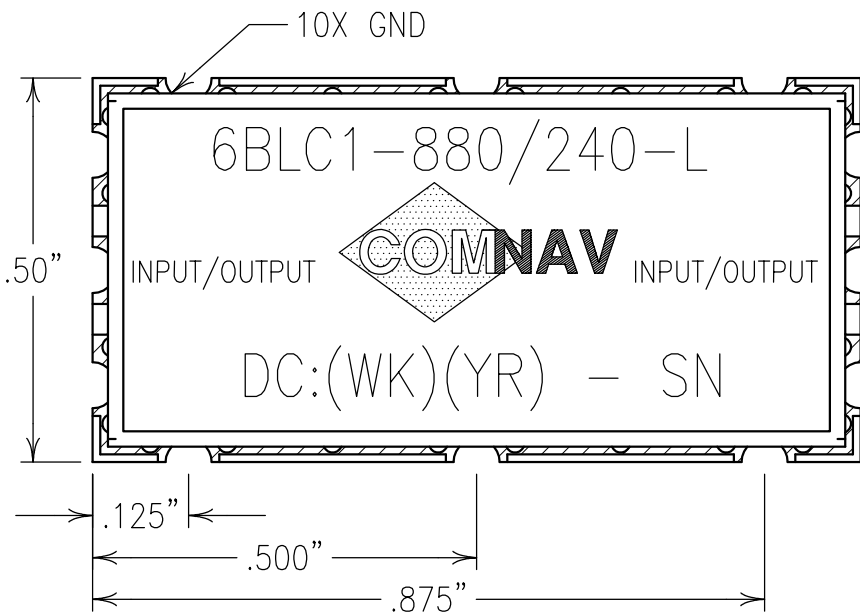


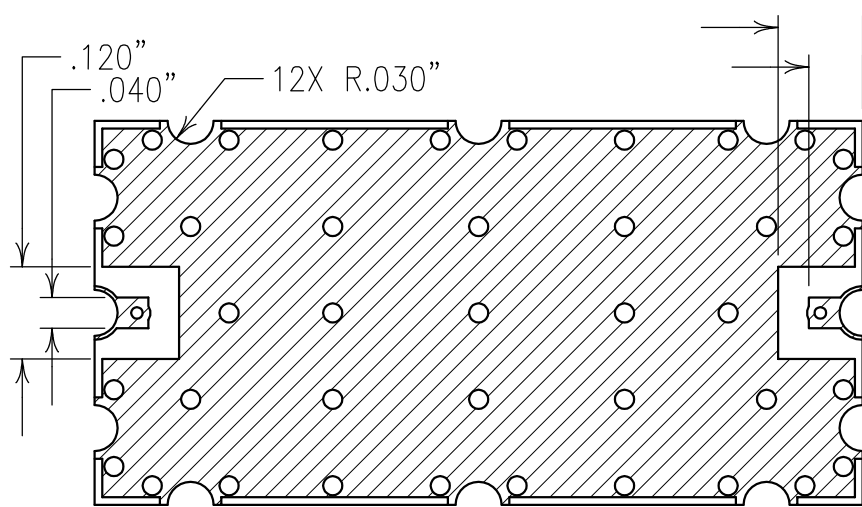
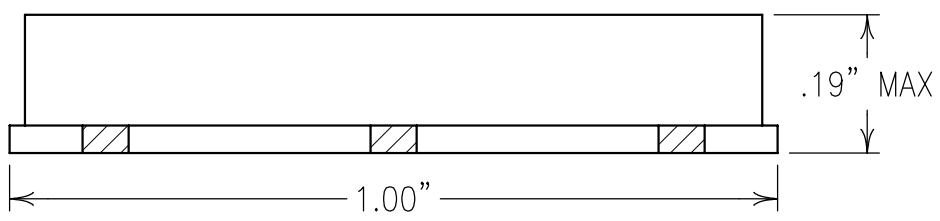
2

1



ELECTRICAL CHARACTERISTICS	
CENTER FREQUENCY:	880 MHz
PASSBAND:	780-980 MHz
PASSBAND LOSS:	< 1.0 dB
PASSBAND FLATNESS:	0.5 dB MAX (0.3 dB GOAL)
PB RETURN LOSS:	>15 dB
REJECTION:	
DC-630 MHz:	30 dBc
1200-3000 MHz:	30 dBc
POWER HANDLING:	1 WATT

**COPY**



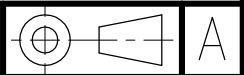
NOTES:

RECOMMENDED ATTACHMENT METHOD: SILVER EPOXY OR REFLOW NOT TO EXCEED AS INDICATED BELOW:

TEMP.(°C)	MAX.TIME(SEC)
215	90
230	60
245	30
260	15

FILTER IS ROHS COMPLIANT

Confidential and Proprietary information of ComNav Engineering Inc. Do Not Duplicate or Use Without Permission. ComNav Engineering Inc. claims Copyright in this document as of the Creation, last revision, and last updated dates. All Rights Reserved.



ENGLISH / METRIC ENGLISH	CHECKED BY				
TOLERANCES UNLESS OTHERWISE SPECIFIED MACHINED SURFACES TO BE 125/ OR BETTER REMOVE ALL BURRS	DRAWN BY PBF				
ENGLISH (INCHES) .XX ±.02 .XXX ±.01	ENGINEER KJR	REV II	DATE 28JAN08	BY KJR	DCN No. DEV. INI. ISS. PER 2824
METRIC (MM) .X ±.25 .XX ±.13	SCALE 4:1	APPLIC: CHIP AND WIRE FILTER			
ANGLES ± 0° 30'	DATE 29JAN08	TITLE: 6BLC1-880/240-L			



FINISH: BOARD: NI/GOLD  
JACKET: NI/SILVER  
RESONATOR: SILVER

DRAWING No. 0L0829

SHEET/OF 1/1