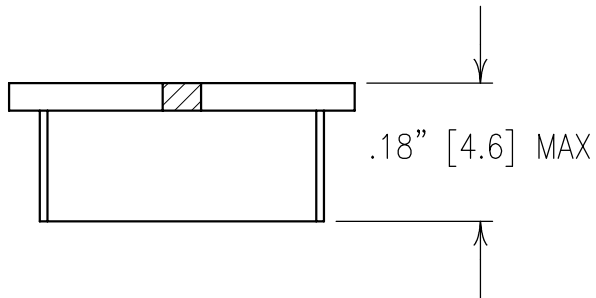


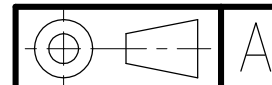
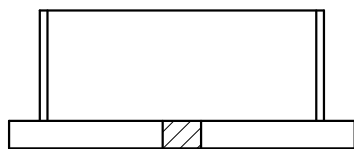
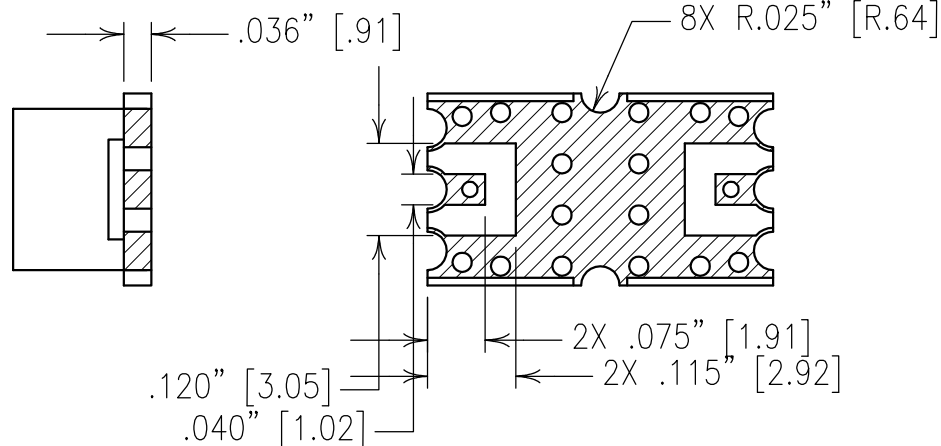
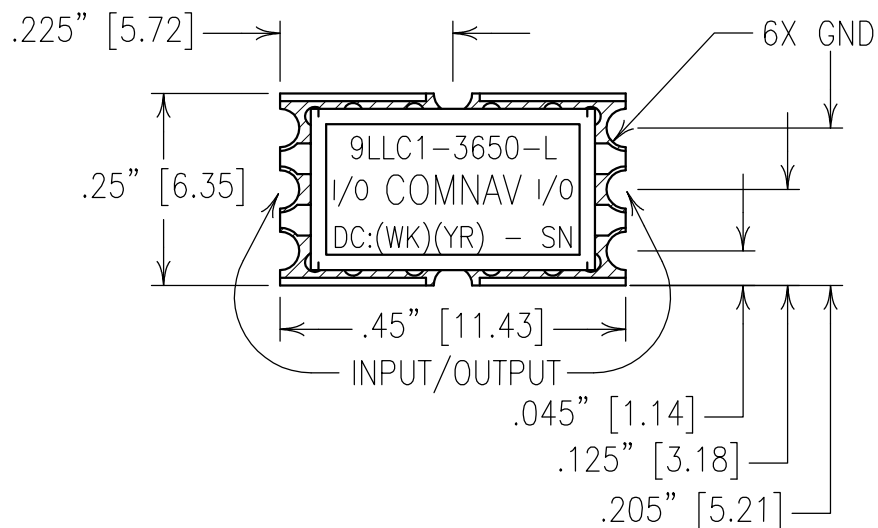
2

1



COPY

ELECTRICAL CHARACTERISTICS	
CENTER FREQUENCY:	3650 MHz NOM
PASSBAND:	DC TO 3500 MHz
PASSBAND LOSS:	<1.5 dB
PASSBAND RETURN LOSS:	>14 dB
REJECTION:	25 dBc MIN @ 4000 TO 6500 MHz
IMPEDANCE:	50 OHM IN/OUT
STORAGE TEMP.:	-55° TO +105°C
OPERATING TEMP.:	-40° TO +85°C
POWER:	1 WATT CW



Confidential and Proprietary information of ComNav Engineering Inc. Do Not Duplicate or Use Without Permission. ComNav Engineering Inc. claims Copyright in this document as of the Creation, last revision, and last updated dates. All Rights Reserved.

NOTES:	TEMP.(°C)	MAX. TIME (SECONDS)
RECOMMENDED ATTACHMENT METHOD:		
SILVER EPOXY OR REFLOW NOT TO EXCEED:	215	90
	230	60
FILTER IS ROHS COMPLIANT.	245	30
FILTER MAY BE LABELED OR ETCHED.	260	15

ENGLISH / METRIC ENGLISH	CHECKED BY				
TOLERANCES UNLESS OTHERWISE SPECIFIED MACHINED SURFACES TO BE 125/ OR BETTER REMOVE ALL BURRS	DRAWN BY PBF	II	08JAN08	KJR	DEV. INI. ISS. PER 2810
ENGLISH (INCHES) .XX ±.02 .XXX ±.01	ENGINEER KJR	REV	DATE	BY	DCN No. REMARKS
METRIC (MM) .X ±.25 .XX ±.13	SCALE 4:1	APPLIC: CERAMIC COAXIAL FILTER			
ANGLES ± 0° 30'	DATE 25JAN08	TITLE: 9LLC1-3650-L			
	FINISH: BOARD: NI/AU JACKET: NI/SILVER RESONATOR: SILVER	DRAWING No. 0L0827		SHEET/OF 1/1	