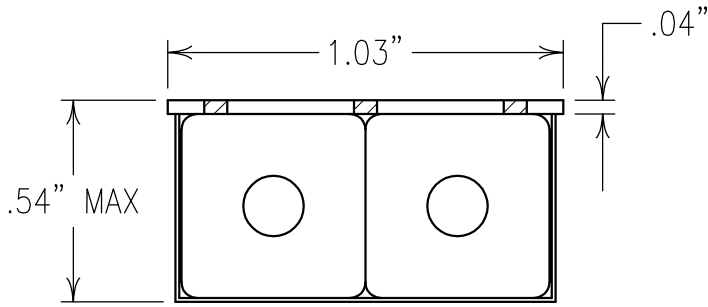


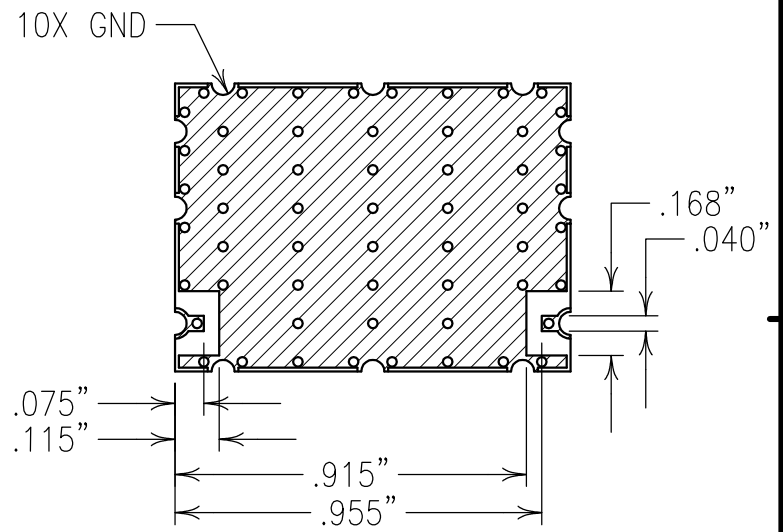
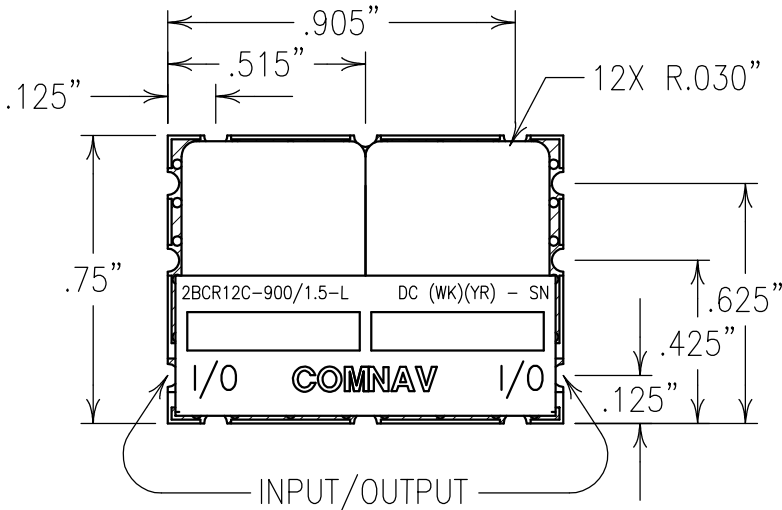
2

1



COPY

ELECTRICAL CHARACTERISTICS	
CENTER FREQUENCY:	900 MHz
INSERTION LOSS:	7.5 dB MAX. @ FO
VSWR:	2.0:1 TYP.
REJECTION:	
	10 dBc MIN @ 898 MHz
	10 dBc MIN @ 902 MHz
OPERATING TEMP.:	0 TO +85 °C



NOTES:

RECOMMENDED FOOTPRINT: FP0137.

NO TIN PLATING UNDER SOLDER MASK.

RECOMMENDED ATTACHMENT METHOD: SILVER EPOXY OR REFLOW NOT TO EXCEED AS INDICATED BELOW:

TEMP.(°C)	MAX.TIME(SEC)
215	90
230	60
245	30
260	15

FILTER IS ROHS COMPLIANT.

FILTER MAY BE ETCHED OR LABELED.

Confidential and Proprietary information of ComNav Engineering Inc. Do Not Duplicate or Use Without Permission. ComNav Engineering Inc. claims Copyright in this document as of the Creation, last revision, and last updated dates. All Rights Reserved.

ENGLISH / METRIC ENGLISH	CHECKED BY						
TOLERANCES UNLESS OTHERWISE SPECIFIED	DRAWN BY						
MACHINED SURFACES TO BE 125 / OR BETTER REMOVE ALL BURRS	ENGINEER	II	18DEC07	KJR	DEV.	INI.	ISS. PER 2805
ENGLISH (INCHES)	METRIC (MM)	SCALE	APPLIC: CERAMIC COAXIAL FILTER				
.XX ±.02	.X ±.25	DATE	TITLE: 2BCR12C-900/1.5-L				
.XXX ±.010	.XX ±.13	20DEC07					
ANGLES ± 0° 30'	FINISH: BOARD: NI/AU PLATED COPPER JACKET: NI/SILVER RESONATOR: SILVER		DRAWING No.		SHEET OF 1 1		
COMNAV ENGINEERING INC.		0L0817					