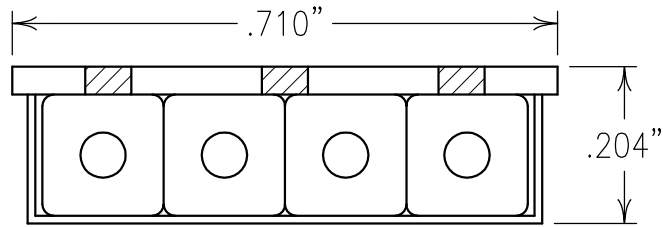


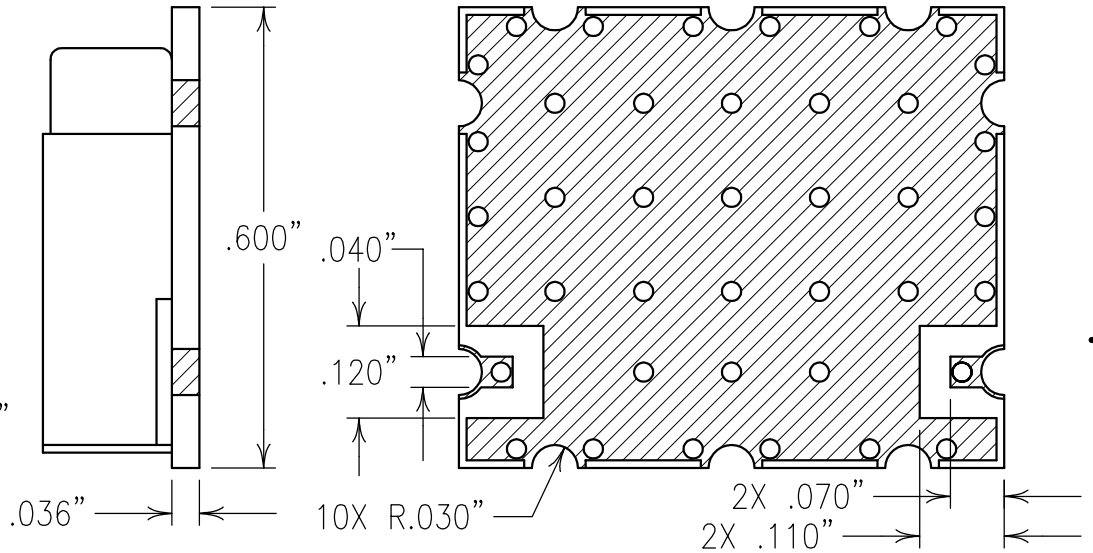
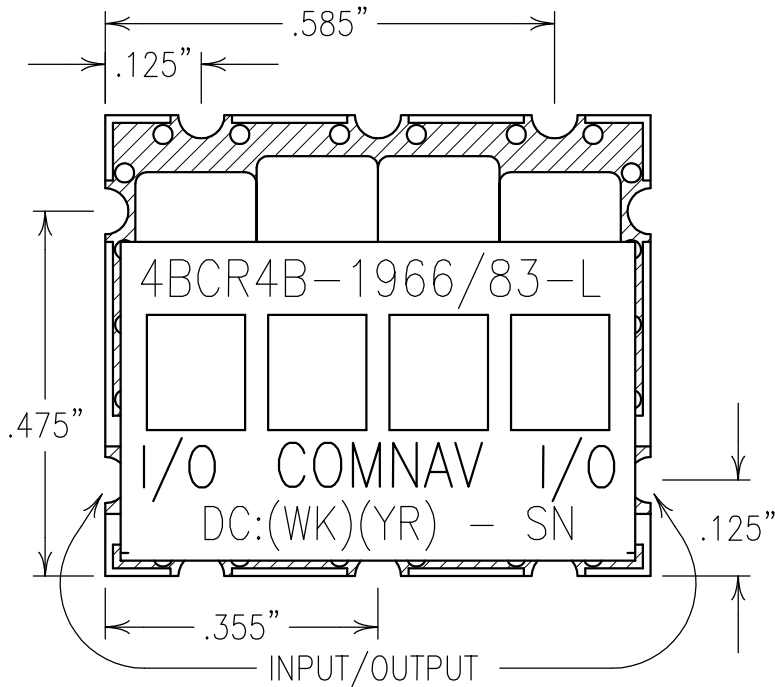
2

1

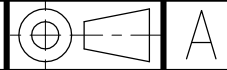


COPY

ELECTRICAL CHARACTERISTICS	
CENTER FREQUENCY:	1966 MHz
INSERTION LOSS:	1.5 dB MAX @ F0
3 dB BANDWIDTH:	83 MHz MIN
1 dB BANDWIDTH:	76 MHz MIN
VSWR:	1.5:1 TYPICAL
REJECTION:	50 dBc MIN @ 1770 AND 2150 MHz



Confidential and Proprietary information of ComNav Engineering Inc. Do Not Duplicate or Use Without Permission. ComNav Engineering Inc. claims Copyright in this document as of the Creation, last revision, and last updated dates. All Rights Reserved.



NOTES:

RECOMMENDED FOOTPRINT: FP0111.

RECOMMENDED ATTACHMENT METHOD: SILVER EPOXY OR REFLOW NOT TO EXCEED AS INDICATED BELOW:

TEMP.(°C) MAX.	TIME(SEC)
215	90
230	60
245	30
260	15

FILTER MAY BE LABELED OR ETCHED. FILTER IS ROHS COMPLIANT.

ENGLISH / METRIC ENGLISH	CHECKED BY				
TOLERANCES UNLESS OTHERWISE SPECIFIED MACHINED SURFACES TO BE 125 / OR BETTER REMOVE ALL BURRS	DRAWN BY PBF				
	ENGINEER KJR	II	13DEC07	KJR	DEV. INI. ISS. PER 2802
		REV	DATE	BY	DCN No. REMARKS
ENGLISH (INCHES) .XX ±.02 .XXX ±.010	METRIC (MM) .X ±.25 .XX ±.13	SCALE 4:1	APPLIC: CERAMIC COAXIAL FILTER		
ANGLES ± 0° 30'	DATE 02JAN08	TITLE: 4BCR4B-1966/83-L			
	FINISH: BOARD: NI/GOLD JACKET: NI/SILVER RESONATOR: SILVER	DRAWING No. OL0816		SHEET OF 1 1	