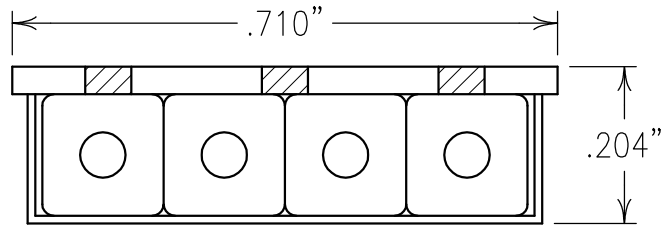


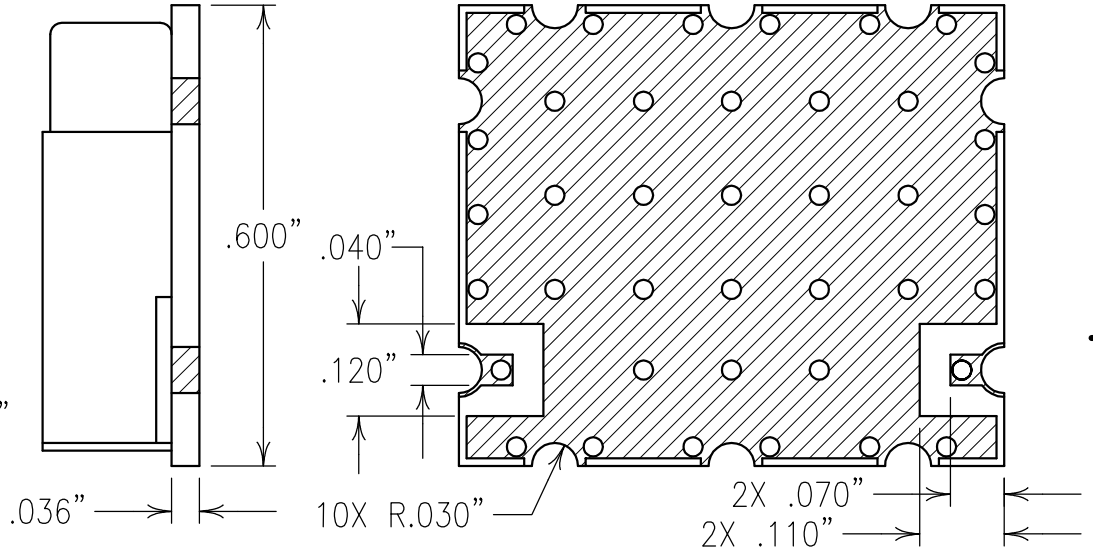
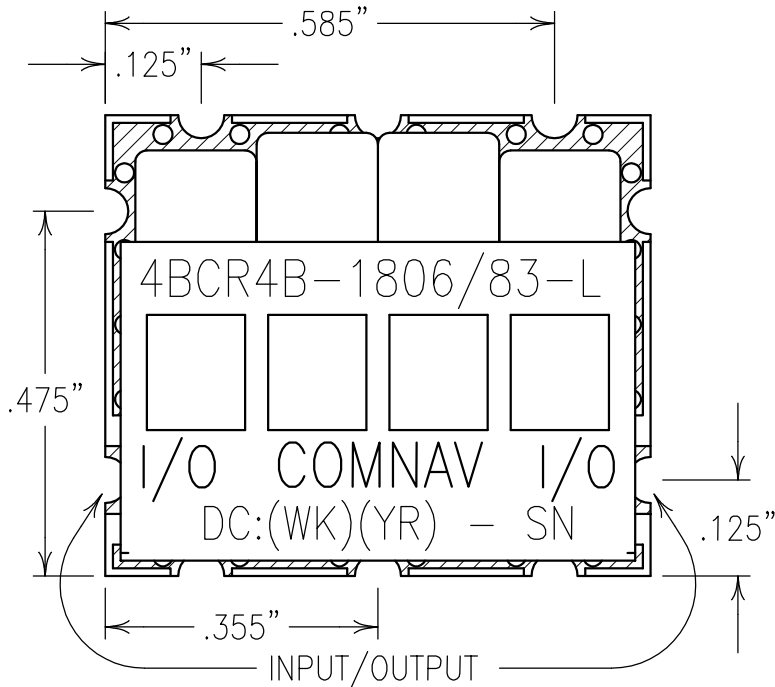
2

1



COPY

| ELECTRICAL CHARACTERISTICS | |
|----------------------------|--------------------------------|
| CENTER FREQUENCY: | 1806 MHz |
| INSERTION LOSS: | 1.5 dB MAX @ F0 |
| 3 dB BANDWIDTH: | 83 MHz MIN |
| 1 dB BANDWIDTH: | 76 MHz MIN |
| VSWR: | 1.5:1 TYPICAL |
| REJECTION: | 50 dBc MIN @ 1608 AND 1988 MHz |



Confidential and Proprietary information of ComNav Engineering Inc. Do Not Duplicate or Use Without Permission. ComNav Engineering Inc. claims Copyright in this document as of the Creation, last revision, and last updated dates. All Rights Reserved.

NOTES:

RECOMMENDED FOOTPRINT: FP0111.

RECOMMENDED ATTACHMENT METHOD: SILVER EPOXY
OR REFLOW NOT TO EXCEED AS INDICATED BELOW:

| TEMP.(°C) MAX. | TIME(SEC) |
|----------------|-----------|
| 215 | 90 |
| 230 | 60 |
| 245 | 30 |
| 260 | 15 |

FILTER MAY BE LABELED OR ETCHED.
FILTER IS ROHS COMPLIANT.

| | | | | | |
|--------------------------------------------|-----------------|----------------------------------------------------------|--------------------------------|--------------|-------------------------|
| ENGLISH / METRIC ENGLISH | CHECKED BY | | | | |
| TOLERANCES UNLESS OTHERWISE SPECIFIED | DRAWN BY PBF | | | | |
| MACHINED SURFACES TO BE 125 / OR BETTER | ENGINEER KJR | II | 13DEC07 | KJR | DEV. INI. ISS. PER 2802 |
| REMOVE ALL BURRS | REVISION | REV | DATE | BY | DCN No. REMARKS |
| ENGLISH (INCHES) | METRIC (MM) | SCALE 4:1 | APPLIC: CERAMIC COAXIAL FILTER | | |
| .XX ±.02 | .X ±.25 | DATE 02JAN08 | TITLE: 4BCR4B-1806/83-L | | |
| .XXX ±.010 | .XX ±.13 | | DRAWING No. 0L0814 | | |
| ANGLES ± 0° 30' | FINISH: | BOARD: NI/GOLD JACKET: NI/SILVER RESONATOR: SILVER | | SHEET OF 1 1 | |