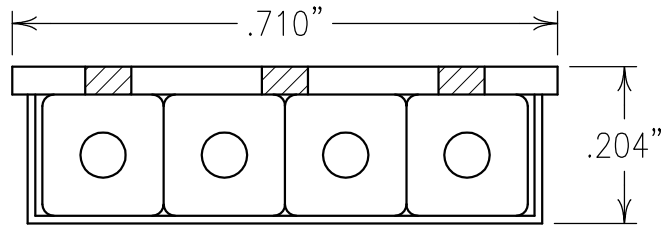


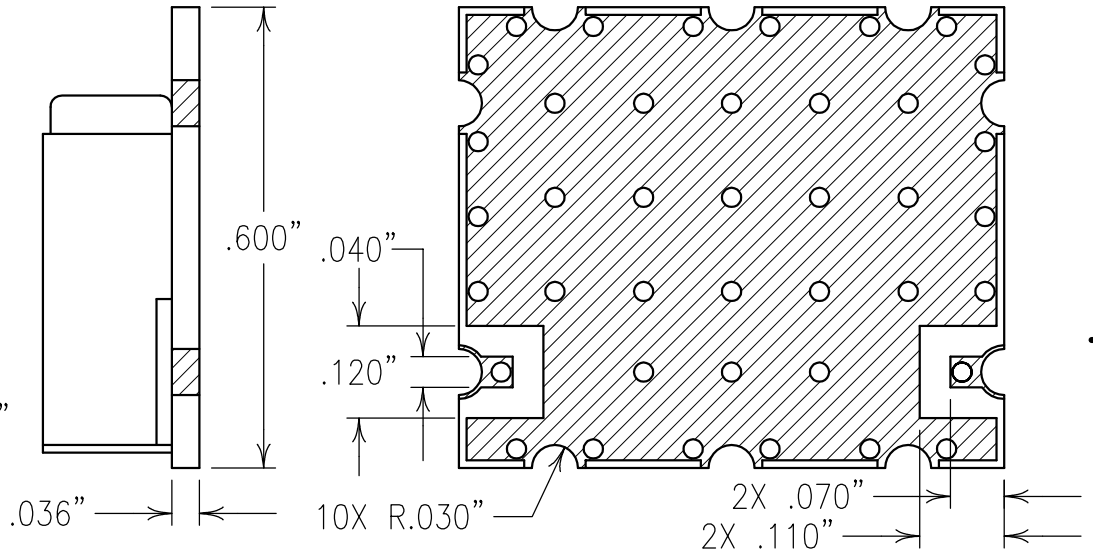
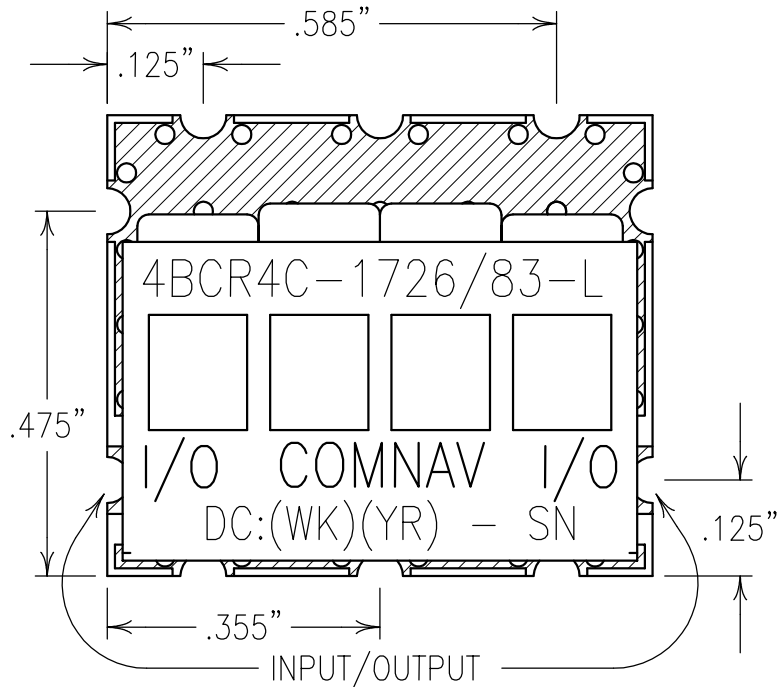
2

1



COPY

ELECTRICAL CHARACTERISTICS	
CENTER FREQUENCY:	1726 MHz
INSERTION LOSS:	1.5 dB MAX @ F0
3 dB BANDWIDTH:	83 MHz MIN
1 dB BANDWIDTH:	76 MHz MIN
VSWR:	1.5:1 TYPICAL
REJECTION:	50 dBc MIN @ 1528 AND 1908 MHz



Confidential and Proprietary information of ComNav Engineering Inc. Do Not Duplicate or Use Without Permission. ComNav Engineering Inc. claims Copyright in this document as of the Creation, last revision, and last updated dates. All Rights Reserved.

NOTES:

RECOMMENDED FOOTPRINT: FP0111.

RECOMMENDED ATTACHMENT METHOD: SILVER EPOXY
OR REFLOW NOT TO EXCEED AS INDICATED BELOW:

TEMP.(°C) MAX.	TIME(SEC)
215	90
230	60
245	30
260	15

FILTER MAY BE LABELED OR ETCHED.
FILTER IS ROHS COMPLIANT.

ENGLISH / METRIC ENGLISH		CHECKED BY			
TOLERANCES UNLESS OTHERWISE SPECIFIED		DRAWN BY			
MACHINED SURFACES TO BE 125 / OR BETTER		PBF			
REMOVE ALL BURRS		ENGINEER			
		KJR			
ENGLISH (INCHES)		SCALE		APPLIC:	
METRIC (MM)		4:1		CERAMIC COAXIAL FILTER	
.XX ±.02		DATE		TITLE:	
.XXX ±.010		02JAN08		4BCR4C-1726/83-L	
ANGLES ± 0° 30'		FINISH:		DRAWING No.	
		BOARD: NI/GOLD		0L0813	
		JACKET: NI/SILVER		SHEET OF	
		RESONATOR: SILVER		1 1	