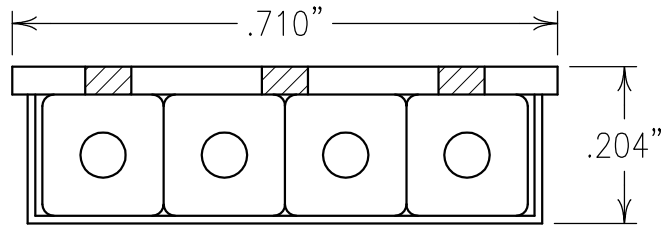


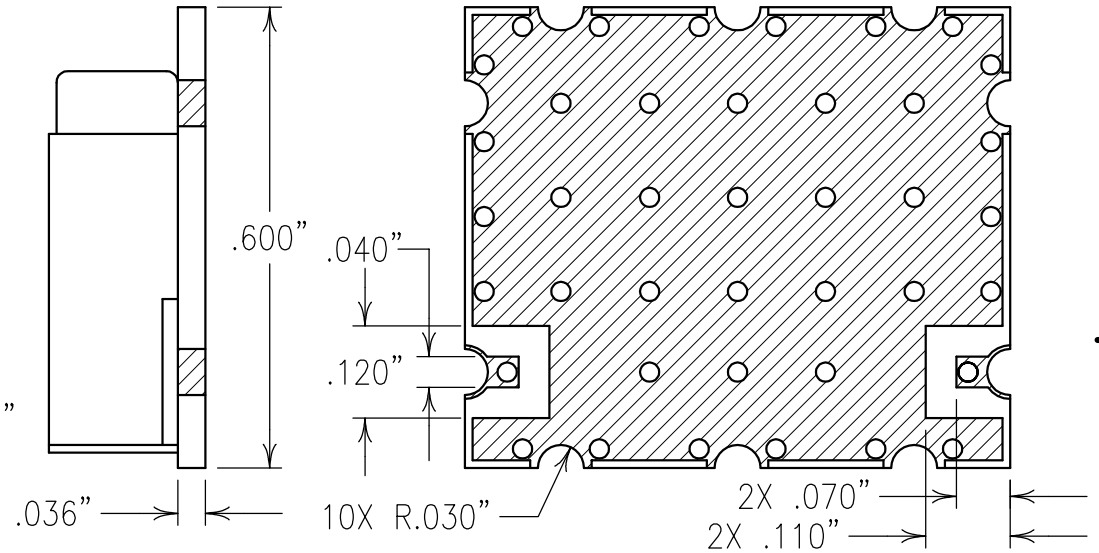
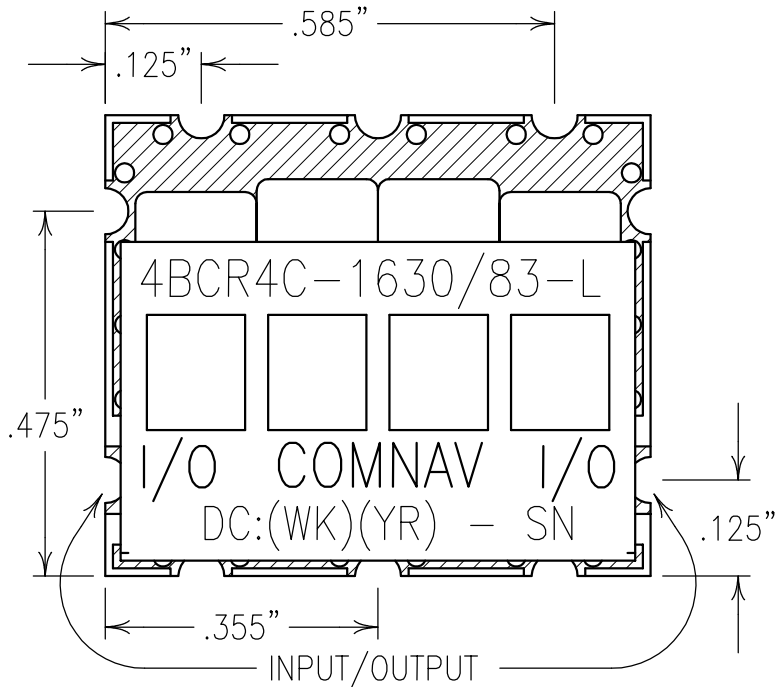
2

1

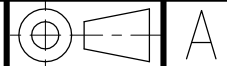


COPY

ELECTRICAL CHARACTERISTICS	
CENTER FREQUENCY:	1630 MHz
INSERTION LOSS:	1.5 dB MAX @ F0
3 dB BANDWIDTH:	83 MHz MIN
1 dB BANDWIDTH:	76 MHz MIN
VSWR:	1.5:1 TYPICAL
REJECTION:	50 dBc MIN @ 1430 AND 1812 MHz



Confidential and Proprietary information of ComNav Engineering Inc. Do Not Duplicate or Use Without Permission. ComNav Engineering Inc. claims Copyright in this document as of the Creation, last revision, and last updated dates. All Rights Reserved.



NOTES:

RECOMMENDED FOOTPRINT: FP0111.

RECOMMENDED ATTACHMENT METHOD: SILVER EPOXY OR REFLOW NOT TO EXCEED AS INDICATED BELOW:

TEMP.(°C) MAX. TIME(SEC)

215	90
230	60
245	30
260	15

FILTER MAY BE LABELED OR ETCHED.
FILTER IS ROHS COMPLIANT.

ENGLISH / METRIC ENGLISH	CHECKED BY				
TOLERANCES UNLESS OTHERWISE SPECIFIED	DRAWN BY				
MACHINED SURFACES TO BE 125 / OR BETTER	ENGINEER	II	13DEC07	KJR	DEV. INI. ISS. PER 2802
REMOVE ALL BURRS	REVISION	REV	DATE	BY	DCN No. REMARKS
ENGLISH (INCHES)	METRIC (MM)	SCALE	APPLIC: CERAMIC COAXIAL FILTER		
.XX ±.02	.X ±.25	DATE	TITLE: 4BCR4C-1630/83-L		
.XXX ±.010	.XX ±.13	02JAN08			
ANGLES ± 0° 30'	FINISH:		DRAWING No.		SHEET OF
	BOARD: NI/GOLD JACKET: NI/SILVER RESONATOR: SILVER		0L0812		1 1

