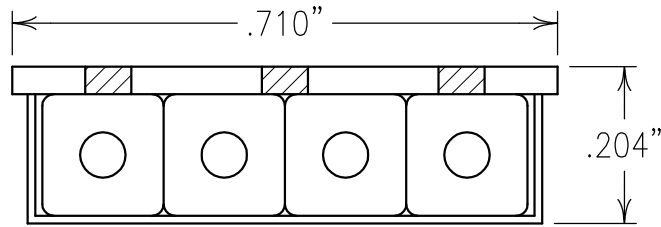


2

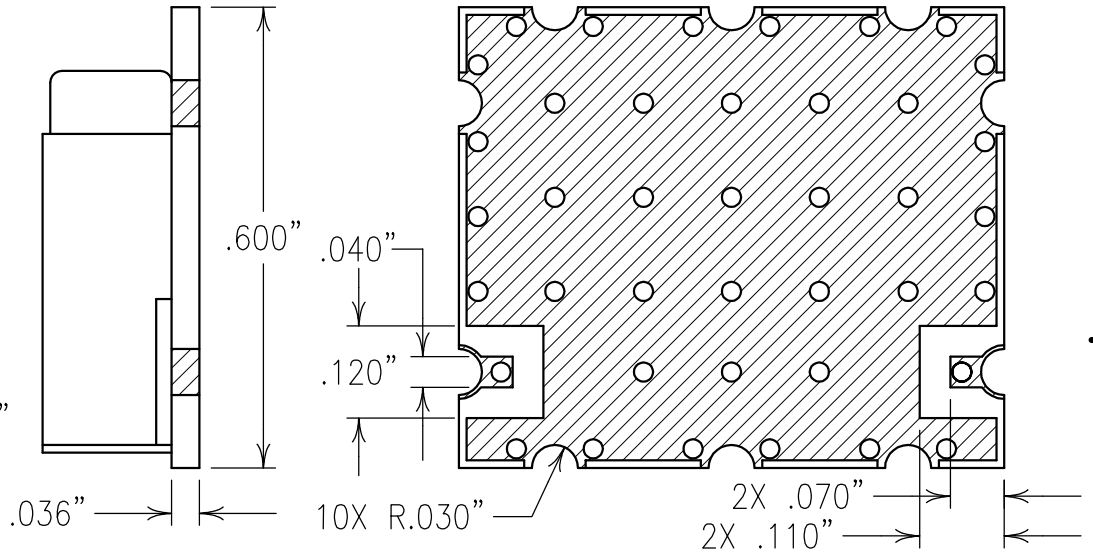
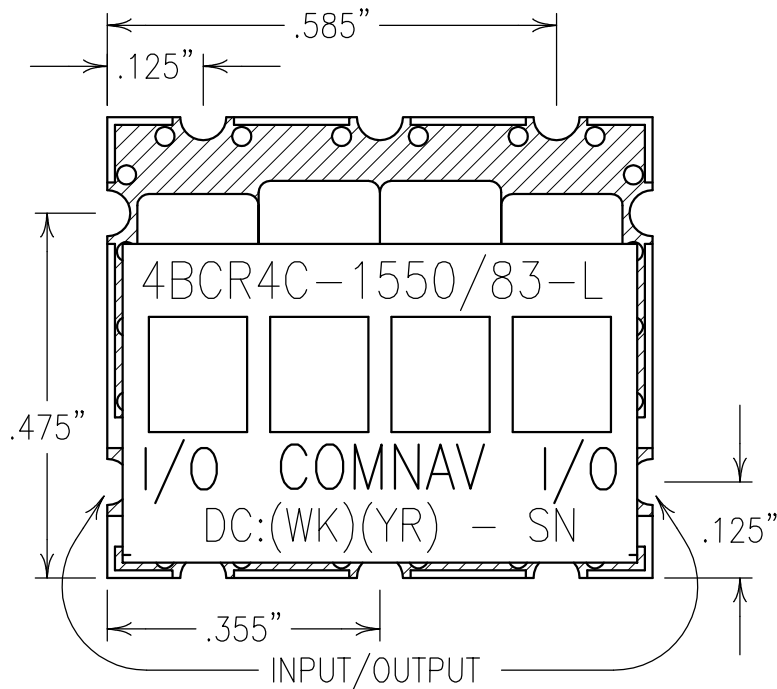
1



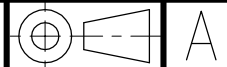
COPY

ELECTRICAL CHARACTERISTICS

CENTER FREQUENCY: 1550 MHz
 INSERTION LOSS: 1.4 dB MAX @ FO
 3 dB BANDWIDTH: 83 MHz MIN
 1 dB BANDWIDTH: 76 MHz MIN
 VSWR: 1.5:1 TYPICAL
 REJECTION: 50 dBc MIN @ 1350 AND 1730 MHz



Confidential and Proprietary information of ComNav Engineering Inc. Do Not Duplicate or Use Without Permission. ComNav Engineering Inc. claims Copyright in this document as of the Creation, last revision, and last updated dates. All Rights Reserved.



NOTES:

RECOMMENDED FOOTPRINT: FP0111.

RECOMMENDED ATTACHMENT METHOD: SILVER EPOXY OR REFLOW NOT TO EXCEED AS INDICATED BELOW:

TEMP.(°C) MAX. TIME(SEC)

215	90
230	60
245	30
260	15

FILTER MAY BE LABELED OR ETCHED.
FILTER IS ROHS COMPLIANT.

ENGLISH / METRIC ENGLISH	CHECKED BY				
TOLERANCES UNLESS OTHERWISE SPECIFIED	DRAWN BY				
MACHINED SURFACES TO BE 125 / OR BETTER	ENGINEER	II	13DEC07	KJR	DEV. INI. ISS. PER 2802
REMOVE ALL BURRS	ENGINEER	KJR	REV	DATE	BY DCN No. REMARKS
ENGLISH (INCHES)	METRIC (MM)	SCALE	APPLIC: CERAMIC COAXIAL FILTER		
.XX ±.02	.X ±.25	4:1	TITLE: 4BCR4C-1550/83-L		
.XXX ±.010	.XX ±.13	DATE	02JAN08		
ANGLES ± 0° 30'	FINISH:	BOARD: NI/GOLD JACKET: NI/SILVER RESONATOR: SILVER		DRAWING No.	SHEET OF 1 1
				0L0811	