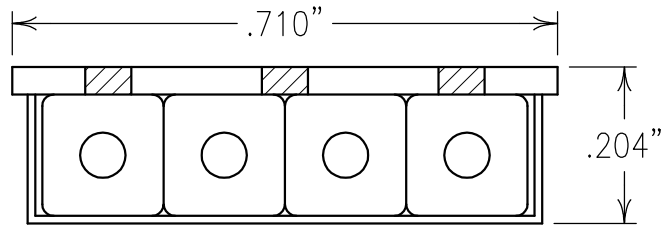


2

1

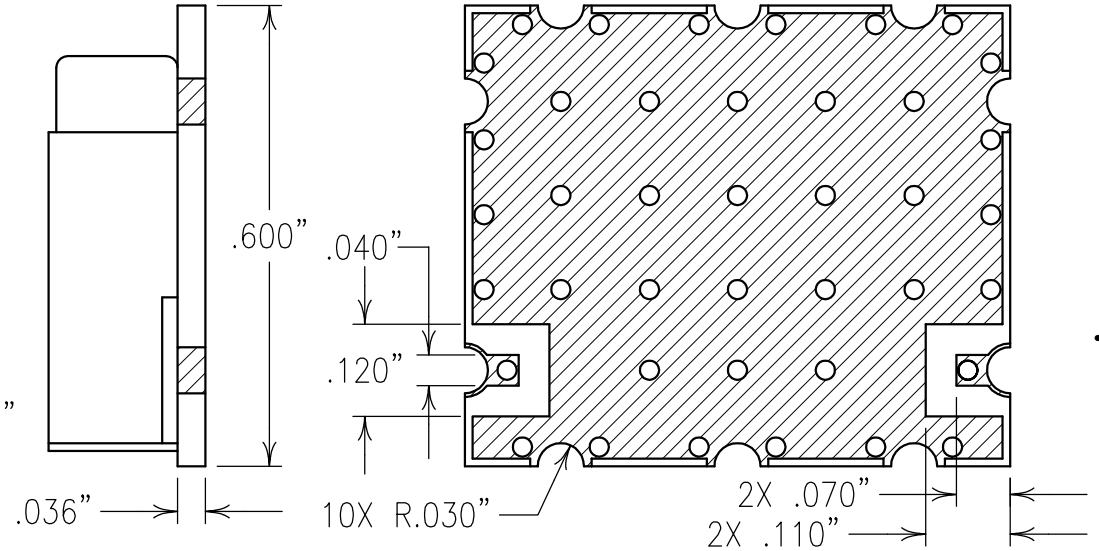
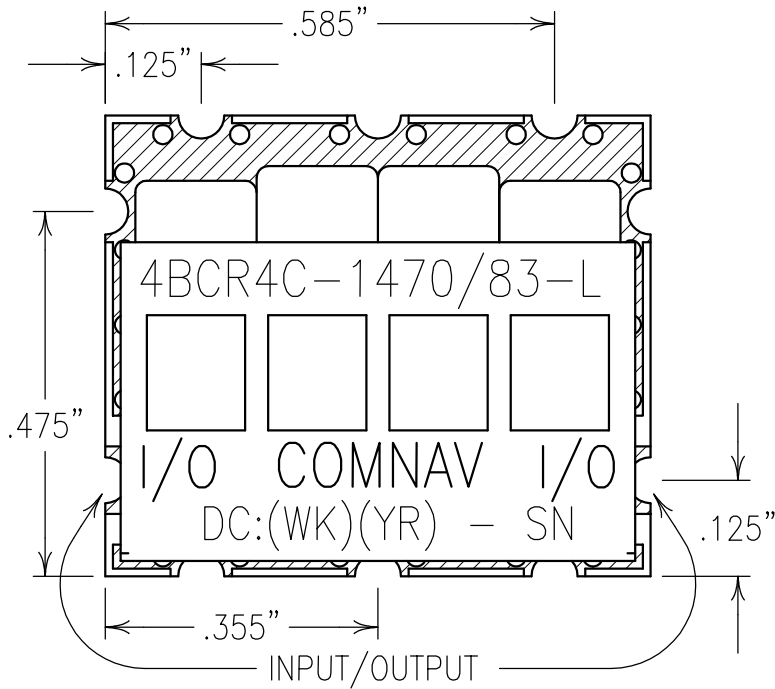


COPY

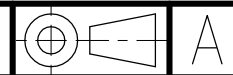
ELECTRICAL CHARACTERISTICS

CENTER FREQUENCY: 1470 MHz
 INSERTION LOSS: 1.4 dB MAX @ FO
 3 dB BANDWIDTH: 83 MHz MIN
 1 dB BANDWIDTH: 76 MHz MIN
 VSWR: 1.7:1 TYPICAL
 REJECTION: 50 dBc MIN @ 1270 AND 1650 MHz

B



Confidential and Proprietary information of ComNav Engineering Inc. Do Not Duplicate or Use Without Permission. ComNav Engineering Inc. claims Copyright in this document as of the Creation, last revision, and last updated dates. All Rights Reserved.



NOTES:

RECOMMENDED FOOTPRINT: FP0111.

RECOMMENDED ATTACHMENT METHOD: SILVER EPOXY
 OR REFLOW NOT TO EXCEED AS INDICATED BELOW:

TEMP.(°C) MAX.	TIME(SEC)
215	90
230	60
245	30
260	15

FILTER MAY BE LABELED OR ETCHED.
 FILTER IS ROHS COMPLIANT.

ENGLISH / METRIC ENGLISH	CHECKED BY				
TOLERANCES UNLESS OTHERWISE SPECIFIED	DRAWN BY				
MACHINED SURFACES TO BE 125 / OR BETTER REMOVE ALL BURRS	ENGINEER	II	13DEC07	KJR	DEV. INI. ISS. PER 2802
ENGLISH (INCHES)	SCALE	4:1	APPLIC:	CERAMIC COAXIAL FILTER	
METRIC (MM)	DATE	02JAN08	TITLE:	4BCR4C-1470/83-L	
.XX ±.02 .XXX ±.010	ANGLES ± 0° 30'		FINISH:	BOARD: NI/GOLD JACKET: NI/SILVER RESONATOR: SILVER	DRAWING No. 010810
					SHEET OF 1 1

A