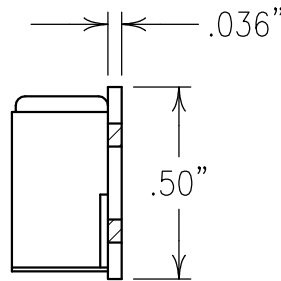
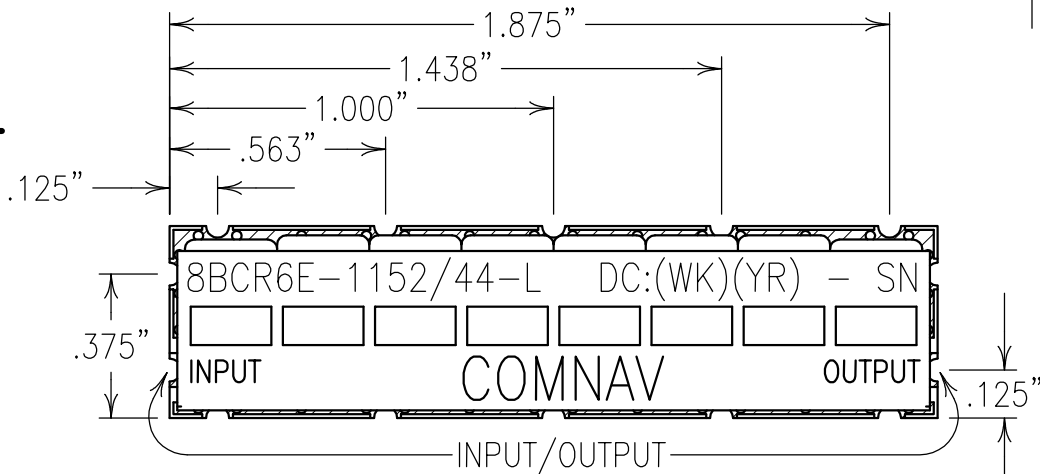
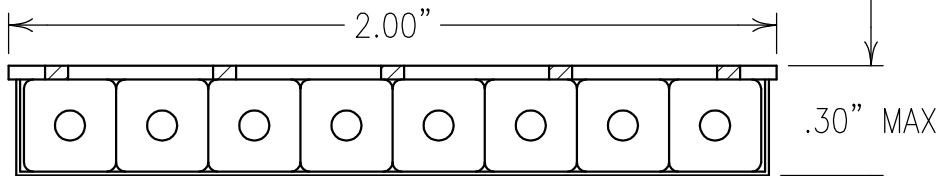
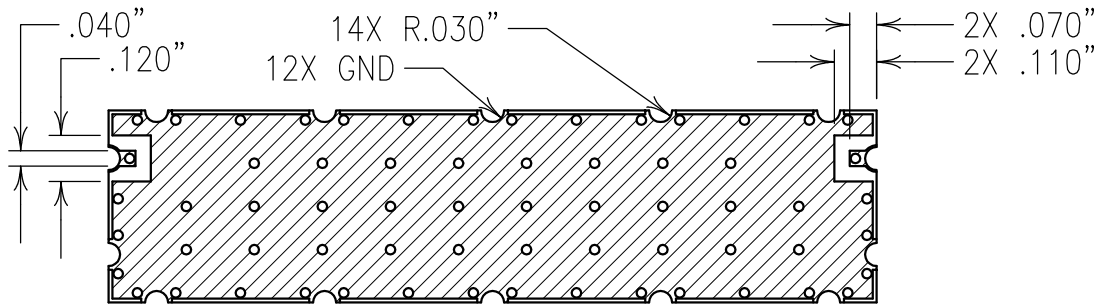


2

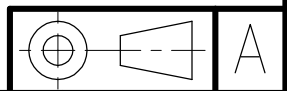
1



ELECTRICAL CHARACTERISTICS

CENTER FREQUENCY:	1152 MHz
INSERTION LOSS:	4.0 dB MAX @FO
PASSBAND:	1136-1168 MHz
PASSBAND VARIATION:	1.0 dB MAX
PASSBAND FLATNESS:	<0.5 dB MAX PEAK TO PEAK
VSWR:	1.5:1 TYP
REJECTION:	
40 dBc MIN	@1112 AND 1192 MHz
60 dBc MIN	@100 TO 1102 MHz
60 dBc MIN	@1202 TO 2500 MHz

COPY



Confidential and Proprietary information of ComNav Engineering Inc. Do Not Duplicate or Use Without Permission. ComNav Engineering Inc. claims Copyright in this document as of the Creation, last revision, and last updated dates. All Rights Reserved.

NOTES: RECOMMENDED ATTACHMENT METHOD: SILVER EPOXY OR REFLOW NOT TO EXCEED:		MAX. TIME
	TEMP.(°C)	(SECONDS)
	215	90
	230	60
	245	30
FOR RECOMMENDED FOOTPRINT SEE FP0136.	245	30
FILTER IS ROHS COMPLIANT.	260	15
FILTER MAY BE LABELED OR ETCHED.		

ENGLISH / METRIC ENGLISH	CHECKED BY				
TOLERANCES UNLESS OTHERWISE SPECIFIED MACHINED SURFACES TO BE 125/ OR BETTER REMOVE ALL BURRS	DRAWN BY PBF	A	16APR08	KJR	DEV. GEN. REV. PER 2869
	ENGINEER KJR	II	04DEC07	KJR	DEV. INI. ISS. PER 2794
	REV	DATE	BY	DCN No.	REMARKS
ENGLISH (INCHES) .XX ±.02 .XXX ±.01	METRIC (MM) .X ±.25 .XX ±.13	SCALE 2:1	APPLIC: CERAMIC COAXIAL FILTER		
ANGLES ± 0° 30'	DATE 18APR08	TITLE: 8BCR6E-1152/44-L			
	FINISH: BOARD: NI/AU JACKET: NI/SILVER RESONATOR: SILVER	DRAWING No. 0L0807		SHEET/OF 1/1	